

Mackenzie Valley Land and Water Board
7th Floor - 4910 50th Avenue
P.O. Box 2130
YELLOWKNIFE NT X1A 2P6
Phone (867) 669-0506
FAX (867) 873-6610

FILE NUMBER: MV2011L2-0004

Date: October 5, 2012

To: Distribution List

Organization: Various

Fax Number: Various

Copied To: _____

From: Elaine for Marc Casas, Regulatory Officer

Number of pages including cover 13

Remarks:

Notification of request for modification to install a gate in the IL6 ditch.

- Enclosures
- As requested
- For your information
- For your comment
- For your approval

Delivered by **Date**

Courier _____

Hand _____

Delivered _____

Fax Oct. 5, 12

ELB

Sent by _____

Note: The document accompanying this transmission contains confidential information intended for a specific individual and purpose. The information is private, and is legally protected by law. If you are not the intended recipient, you are hereby notified that any disclosure, copying, distribution, or the taking of any action in reference to the contents of this telecopied information is strictly prohibited. If you have received this communication in error, please notify the above person immediately by telephone and return the original to by regular mail to address above.



Mackenzie Valley Land and Water Board
7th Floor - 4910 50th Avenue
P.O. Box 2130
YELLOWKNIFE NT X1A 2P6
Phone (867) 669-0506
FAX (867) 873-6610

October 4, 2012

File: MV2011L2-0004

Distribution List

Dear Sir/Madam:

Notification:

De Beers Canada Inc. - Snap Lake Mine
Request to Modify - IL6- Ditch

De Beers Canada Inc. (De Beers) has submitted a request for modification to install a gate in the IL6 ditch. The Board will be considering the proposed request on October 25, 2012. This request is now available for viewing online. To access this document on our website, please go to www.mvlwb.com, "Items for Review", De Beers Canada Inc.

This letter is being sent as notification. If you have any concerns with this request, please submit your comments using the attached excel worksheet by **October 15, 2012**.

If you have any questions regarding this request, please telephone (867) 766-7466 or email mcasas@mvlwb.com.

Sincerely,

A handwritten signature in black ink, appearing to read "Marc Casas", written over a horizontal line.

Marc Casas
Regulatory Officer



September 21, 2012

File: MV2011L2-0004

Mr. Willard Hagen
Mackenzie Valley Land and Water Board
Box 2130
7th Floor, 4910-50th Avenue
Yellowknife, NT.
X1A 2P6

Re: 60 Day Modification for Addition of an IL6 Ditch Gate

Dear Mr. Hagen,

Please accept this letter as a request for approval regarding a Modification to the existing design of the Inland Lake 6 (IL6) ditch, as per Part J, "Conditions Applying to Modifications", item 1, which states:

- a) The Licensee has notified the Board in writing of such proposed Modifications at least sixty (60) days prior to beginning the Modifications;
- b) The Board has not, during the sixty (60) days following notification of the proposed Modifications, informed the Licensee that review of the proposal will require additional time;
- c) The Board has not rejected the proposed Modifications; and
- d) An Inspector has authorized the proposed Modifications and provided a letter of notification to the Board.

The modification is in the form of a proposed IL6 Ditch Gate that would provide a control structure to enable the natural stream intercepted by the west portion of the ditch to be captured or diverted into or out of the Snap Lake water management system. The proposed gate design consists of a removable wooden stopgate, supported in a steel channel track which is fixed to the ditch.

During normal conditions, the stopgate will be removed from the ditch, such that all inflow to the IL6 Ditch will report to the Snap Lake water management system via the ditch to IL6 and Perimeter Sump (PS) 5. During the freshet period, however, when the natural stream begins to flow and is within permitted discharge criteria, the stopgate can be installed in the ditch to prevent this natural stream flow from reporting to IL6, thus preserving its natural flow path to the adjacent bog (IL6 West).





Insertion and removal of the stopgate would be readily accomplished using onsite mobile equipment.

Should you have any questions, comments or require further clarification, please do not hesitate to contact me at 767-8646 or email me at the following address:
Alexandra.Hood@debeerscanada.com

Sincerely,

Alexandra Hood
Permitting and Environmental Superintendent

Cc:	M. Morapeli	DBCI
	D. Raymond	DBCI
	C. Wessner	DBCI
	C. Twiggs	DBCI
	D. White	SLEMA
	Z. Liu	SLEMA
	M. Casas	MVLWB
	T. Covey	AANDC

Attachment



**DE BEERS CANADA INC.
SNAP LAKE MINE
WEST DITCH GATE DESIGN**

DRAWING LIST		
DRAWING NUMBER	TITLE	SHEET
P1719M-C-001	DESIGN DETAILS - SIDE ELEVATION	1
P1719M-C-001	DESIGN DETAILS - SECTION AND DETAILS	2
P1719M-C-001	DESIGN DETAILS - MATERIAL LIST	3

Issued For:
CUSTOMER APPROVAL
CONSTRUCTION

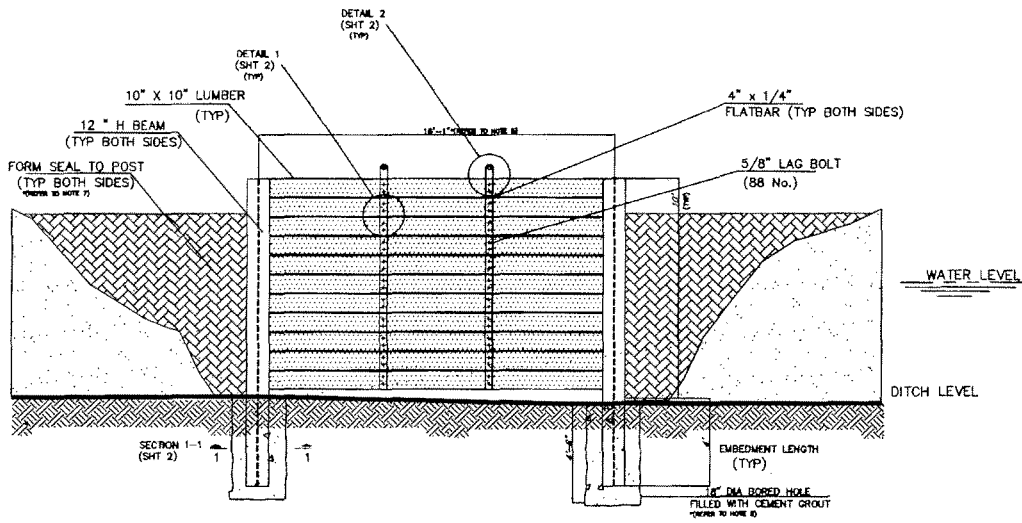
Issued By: H.N. ← **Date:** Aug 29
2012

0	08/29/12	ISSUE FOR APPROVAL	HN
REV	DATE	DESCRIPTION	BY
		REVISION TABLE	



PROFESSIONAL SERVICES DIVISION OF
ANCA Management & Engineering C
Chartered, Chartered Technicians, Chartered Professional Engineers
CANADA
101, 805-120 Avenue, Suite 120, 100
www.anca.com

PROJECT: DE BEERS CANADA SNAP LAKE MINE SITE SNAP LAKE, NWT			
TITLE: CIVIL LAYOUT DESIGN DETAILS WEST DITCH GATE DESIGN			
DRAWN: HN	DATE: 08/29/12	PROJ: P12194	
CHKD: DR	SCALE: N.T.S.	SHEET No.:	
APPR: HC	SHEET:	DWG #:	
REV: 0	SIZE: B	TITLE PAGE	



FRONT ELEVATION

SCALE : 1 : 50

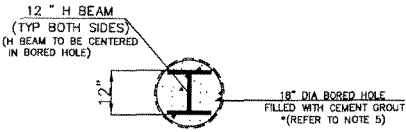
Issued For:
 CUSTOMER APPROVAL
 CONSTRUCTION *KE*
Issued By: H.N **Date:** AUG 29 2012

- NOTES**
1. UNLESS OTHERWISE SPECIFIED, ALL DIMENSIONS ARE GIVEN IN INCHES.
 2. DESIGN AND CONSTRUCTION SHALL COMPLY WITH LATEST EDITION OF GOVERNMENT CODE SPECIFICATIONS AND STANDARDS INCLUDING OCCUPATIONAL HEALTH & SAFETY.
 3. ALL BOLTS, NUTS, WELDS, WELLS ARE BALANCED STEEL.
 4. ALL DIMENSIONS SHALL BE CHECKED AND ANY DISCREPANCIES SHALL BE REPORTED TO THE APPROVING ENGINEER PRIOR TO COMMENCING ANY WORK.
 5. DIMENSIONS SHOWN IN PLY ARE FIELD MEASUREMENTS AND MUST BE FIELD VERIFIED BY CONTRACTOR PRIOR TO FABRICATION.
 6. AT THE DISCRETION OF THE OWNER, THE CONTRACTOR SHALL VISIT THE SITE PRIOR TO BID DRAWING AND ON DRAWING VERIFY ALL FIELD DIMENSIONS BEFORE FABRICATION AND/OR ERECTION.
 7. FORM BOTH SIDERS OF H COLUMN TO DITCH SHALL FULL WITH APPROX 100 MM MINIMUM SEAL WITH GROUT.
- STRUCTURAL STEEL**
1. FABRICATION AND ERECTION TO COMPLY WITH REQUIREMENTS OF CSA STANDARDS CAN/CAN-ENR.
 2. STEEL TO QUALITY AS PER SPEC STANDARDS.
 3. CONTRACTOR TO SUPPLY ALL FASTENERS REQUIRED TO FABRICATE AND ASSEMBLE.
 4. WELDING MATERIALS - CONFORMING TO CSA W881 AND SUITABLE FOR USE INTENDED.
 5. FIT, CENTER AND INTERSECTIONS MEMBERS ACCURATELY MAKE WORK IN TRUE PLANES WITH ADEQUATE FASTENERS.

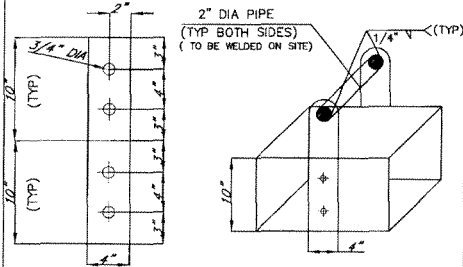
REV	DATE	DESCRIPTION	BY
0	08/23/12	ISSUE FOR APPROVAL	DES



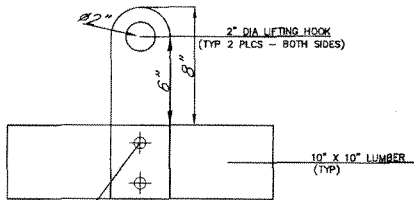
PROJECT:	DE BEERS CANADA SNAP LAKE MINE SITE SNAP LAKE, N.W.T.		
TITLE:	CIVIL LAYOUT DESIGN DETAILS WEST DITCH GATE DESIGN		
DRAWN:	HM	DATE: 08/23/12	PROJ: P171994
CHKD:	OR	SCALE: 1:50	SHEET No.:
APPR:	BC	SHEET: 1 OF 3	OWG #:
REV:	0	SIZE: B	P171994-C-001



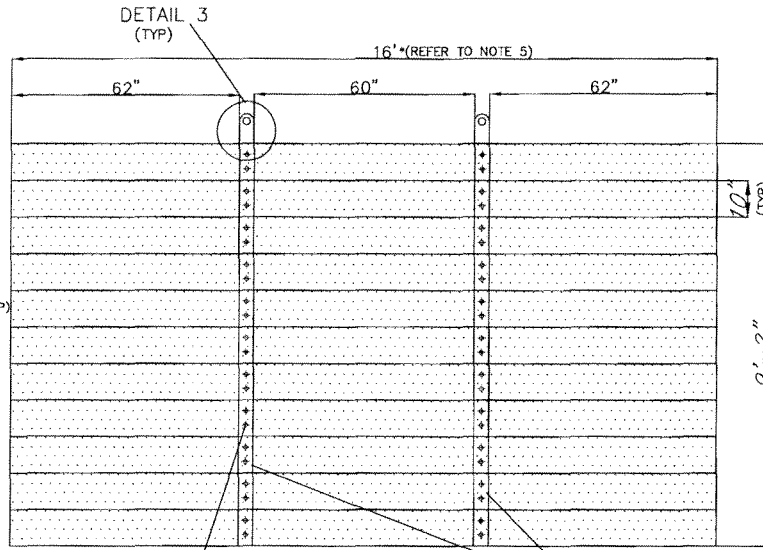
SECTION 1-1



DETAIL 1 DETAIL 3



5/8" LAG BOLT
(TYP 2 PLCS - BOTH SIDES) DETAIL 2



GATE DETAIL

Issued For:
CUSTOMER APPROVAL
CONSTRUCTION

Issued By: H.N Date: Aug 29 2012

- NOTES**
- UNLESS OTHERWISE SPECIFIED, ALL DIMENSIONS ARE GIVEN IN INCHES.
 - DESIGN AND CONSTRUCTION SHALL COMPLY WITH LATEST EDITION OF GOVERNING CODE REGULATIONS AND STANDARDS INCLUDING OCCUPATIONAL HEALTH & SAFETY.
 - ALL BOLTS, WELDERS, WTS ARE GALVANNEZED STEEL.
 - ALL DIMENSIONS SHALL BE CHECKED AND ANY DISCREPANCIES SHALL BE REPORTED TO THE APPROVING ENGINEER PRIOR TO COMMENCING ANY WORK.
 - DIMENSIONS MARKED (TYP) ARE FIELD MEASURED AND MUST BE FIELD VERIFIED BY CONTRACTOR PRIOR TO FABRICATION.
 - AT THE DISCRETION OF THE OWNER, THE CONTRACTOR SHALL VISIT THE SITE PRIOR TO BID AWARD AND ON AWARD VERIFY ALL FIELD DIMENSIONS BEFORE FABRICATION AND/OR ERECTION.
 - FORM BOTH SIDES OF H COLUMN TO BOTH WALL FULL WITH APPROX 100 WSI NOMINAL SEAL WITH GROUT.

- STRUCTURAL LEVEL**
- FABRICATION AND ERECTION TO COMPLY WITH REQUIREMENTS OF CSA STANDARDS CAN/CSA-S16: STEEL TO QUALITY AS PER SDC STANDARDS.
 - CONTRACTOR TO SUPPLY ALL FASTENERS REQUIRED TO FABRICATE AND ASSEMBLE.
 - WELDING MATERIALS - CONFORMING TO CSA W8.1 AND SUITABLE FOR USE INTENDED.
 - FIT JOINTS AND INTERSECTING MEMBERS ACCURATELY MAKE WORK IN TRUE PLANES WITH ADEQUATE FASTENING.

REV	DATE	DESCRIPTION	BY
0	08/23/12	ISSUE FOR APPROVAL	HN



PROJECT: DE BEERS CANADA SNAP LAKE MINE SITE SNAP LAKE, NWT.			
TITLE: CIVIL LAYOUT DESIGN DETAILS WEST DITCH GATE DESIGN			
DRAWN: HN	DATE: 08/23/12	PROJ: P1719M	
CHKD: DR	SCALE: 1:25	SHEW No.:	
APPR: KC	SHEET: 2 OF 3	DWG #:	
REV: 0	SIZE: B		P1719M-C-001

MATERIAL LIST - WEST DITCH GATE				
ITEM	DESCRIPTION	QTY	NO.	TOTAL
1	12" X 14' H WIDE BEAM	2	1	2
2	10" X 10" X 16' LUMBER	11	1	11
3	5/8" X 1 1/2" STAINLESS STEEL LAG BOLTS	44	2	88
4	4" X 1/4" X 11' STEEL FLATS FOR FRAME	2	2	4
5	2" DIA OPEN TUBE 10" LENGTH	2	1	2

- NOTES**
- UNLESS OTHERWISE SPECIFIED, ALL DIMENSIONS ARE GIVEN IN INCHES.
 - DESIGN AND CONSTRUCTION SHALL COMPLY WITH LATEST EDITION OF GOVERNING CODE SPECIFICATIONS AND STANDARDS INCLUDING OCCUPATIONAL HEALTH & SAFETY. ALL BOLTS, WASHERS, NUTS ARE GALVANNEZED STEEL.
 - ALL DIMENSIONS SHALL BE CHECKED AND ANY DISCREPANCIES SHALL BE REPORTED TO THE APPROVING ENGINEER PRIOR TO COMMENCING ANY WORK.
 - DIMENSIONS MARKED (O) ARE FIELD MEASURED AND MUST BE FIELD VERIFIED BY CONTRACTOR PRIOR TO FABRICATION.
 - AT THE DISCRETION OF THE OWNER, THE CONTRACTOR SHALL VISIT THE SITE PRIOR TO BID AWARD AND ON AWARD VERIFY ALL FIELD DIMENSIONS BEFORE FABRICATION AND/OR ERECTION.
 - FORM BOTH SIDES OF H COLUMN TO DITCH WALL FULL WITH APPROX 100 MM NOMINAL SEAL WITH BRICK.
- STRUCTURAL STEEL**
- FABRICATION AND ERECTION TO COMPLY WITH REQUIREMENTS OF CSA STANDARDS CAN/CSA-S16.
 - STEEL TO COATED AS PER SMC STANDARDS.
 - CONTRACTOR TO SUPPLY ALL FASTENERS REQUIRED TO FABRICATE AND ASSEMBLE.
 - WELDING MATERIALS - CONFORMING TO CSA W88.1 AND SUITABLE FOR USE INTENDED.
 - THE JOINTS AND INTERSECTING MEMBERS ACCURATELY MAKE WORK IN TRUE PLANES WITH ADEQUATE FASTENERS.

REV	DATE	DESCRIPTION	BY
0	08/23/12	ISSUE FOR APPROVAL	HN



Issued For:
 CUSTOMER APPROVAL
 CONSTRUCTION

Issued By: H.N. *[Signature]* **Date:** Aug-28 2012.

PROJECT: DE BEERS CANADA SNAP LAKE MINE SITE SNAP LAKE, NWT.			
TITLE: CIVIL LAYOUT DESIGN DETAILS WEST DITCH GATE DESIGN			
DRAWN: HN	DATE: 08/23/12	PROJ: P17194	
CHECKED: DR	SCALE: N.T.S.	SHP No.:	
APPR: KC	SHEET: 3 OF 3	DWG #:	
REV: 0	SIZE: B		P17194-C-001

AKAITCHO REGION DISTRIBUTION LIST

Organization	Contact Name	Contact Position/Title	Email/Fax
Akaitcho Screening Board	Stephanie Poole	Screening Officer	screeningofficer@eastarm.com ;
Akaitcho Screening Board	Stephen Ellis	IMA Implementation Officer	scellis@eastarm.com ;
City of Yellowknife	Gordon Van Tighem, c/o Judy Brennan	Mayor, c/o Executive Secretary	jbrennan@yellowknife.ca ;
City of Yellowknife	Robert Long	City Administrator	rlong@yellowknife.ca ;
[De Beers Canada Inc. c/o Golder Associates if related to Snap Lake]	Lisa Bridges		Lisa_Bridges@golder.com ;
[De Beers Canada Inc. c/o Golder Associates if related to Snap Lake]	Peter Chapman		Peter_Chapman@golder.com ;
Dene Nation	Lee Mandeville	Lands Program Coordinator	lmandeville@denenation.com ;
Deninoo Community Council	Carol Collins	Lands Officer	Carolc.lands@gmail.com ;
Deninu K'ue First Nation	Emile Bjornson	IMA Coordinator	ima_dkfn@northwestel.net ;
Deninu K'ue First Nation	Chief Balsillie	Chief	admin_dkfn@northwestel.net ;
[DFO main contact if related to Snap Lake]	Lorraine Sawdon		Lorraine.Sawdon@dfo-mpo.gc.ca ;
Enterprise Settlement Corporation	Mike St. Amour	Mayor	Sao_enterprise@northwestel.net ;
Environment Canada	Not applicable	Central email	ec_ea.nwt@ec.gc.ca ;
Fort Resolution Métis Council	Gary Bailey	President	Frmc53@yahoo.ca ;
Hamlet of Fort Resolution	Carol Collins	Lands Officer	Carolc.lands@gmail.com ;
Fort Smith Métis Council	Ken Hudson	President	fortsmithmetisCouncil@northwestel.net ;
Fort Smith Métis Council			rcc.nwtmn@northwestel.net ;
Fort Resolution Métis Council	Trudy King		(867)394-3322;
GNWT	Not applicable	Central email	Gnwt_ea@gov.nt.ca ;
GNWT – DOT	Rhonda Batchelor	Environmental Affairs Analyst	Rhonda_Batchelor@gov.nt.ca ;
GNWT – ENR	Patrick Clancy	Environmental Regulatory Analyst	Patrick_Clancy@gov.nt.ca ;
GNWT – HEALTH	Duane Fleming	Chief Environmental Health Officer	Duane_Fleming@gov.nt.ca ;
GNWT – ITI	Amy Lizotte	Senior Analyst	Amy_Lizotte@gov.nt.ca ;
GNWT – ITI	Russell Teed	Mineral and Petroleum Development Impact Analyst	Russell_Teed@gov.nt.ca ;
GNWT – MACA	Mark Davy	Senior Environmental Planner	Mark_Davy@gov.nt.ca ;
GNWT – PWNHC	Glen Mackay	Assessment Archaeologist	Glen_Mackay@gov.nt.ca ;
Hay River Métis Government Council	George Lafferty		hrcm@northwestel.net
Hay River Metis Council	Paul Harrington	President	(867)874-4472;

Organization	Contact Name	Contact Position/Title	Email/Fax
			hrcm@northwestel.net ;
AANDC – Intergovernmental Affairs	Not applicable	Central email	intergov@aandc.gc.ca ;
AANDC – Mineral & Petroleum Resources Directorate			MDD@aandc.gc.ca ; PDD@aandc.gc.ca ;
AANDC – Aboriginal and Territorial Relations	Not applicable	Central email	consultationsupportunit@aandc.gc.ca ;
AANDC – Aboriginal and Territorial Relations			
AANDC – Environment and Conservation	Krystal Thompson	Environmental Assessment and Agreement	Krystal.Thompson@aandc.gc.ca ;
AANDC – Environment and Conservation	Charlotte Henry	Renewable Resources and Environment Division	Charlotte.Henry@aandc.gc.ca ;
AANDC – South Mackenzie District Office	Scott Stewart – Email only	District Manager	Scott.Stewart@aandc.gc.ca ;
AANDC – South Mackenzie District Office	Charlene Coe – Email only	Land Use Administrator	Charlene.Coe@aandc.gc.ca ;
[AANDC – Water Resources if related to water licence]	Robert Jenkins	Manager	Robert.Jenkins@aandc.gc.ca ;
AANDC- RSA Section	Nathen Richea	A/Head	Nathen.Richea@aandc.gc.ca ;
AANDC- RSA Section	Paul Green	Regulatory & Science Advisor	Paul.green@aandc.ca ;
AANDC	Not applicable		CAU-UCA@aandc.gc.ca ;
Katlocheeche First Nation	Roy Fabian c/o Victoria St. Jean	Chief c/o Lands and Resources Manager	landsnresources@katlocheeche.com ;
Lutsek'e Dene First Nation	Antoine Michel	Chief	lkdfn_executiveChiefandCouncil@gmail.com ; saolkdfn@gmail.com ;
Lutsek'e Dene First Nation	Mike Tollis	Lands Manager	lkdfnlands@gmail.com ;
MVLWB Public Registry	Not applicable	Registry Clerk	permits@mvlwb.com ;
North Slave Métis Alliance	Bill Enge c/o Sheryl Grieve	President c/o Environment Manager	enviomgr@nsma.net ;
Northern Projects Management Office	Matthew Spence	Senior Project Coordinator	Matthew.Spence@cannor.gc.ca ;
Northern Projects Management Office	Kate Witherly	Project Officer	Kate.Witherly@cannor.gc.ca ;
Northwest Territory Métis Nation	Tim Heron	NWTMN IMA Coordinator	(867)872-2772; rcc.nwtmn@northwestel.net ;
De Beers Canada Inc	Maxwell Morapeli	Snap Lake Mine Manager	Maxwell.Morapeli@debeerscanada.com ;
De Beers Canada Inc	Alexandra Hood	Acting Permitting and Environmental Superintendent	alexandra.hood@debeerscanada.com ;
De Beers Canada Inc	David Putnam	Director, Safety, Health and Environment	david.putnam@debeerscanada.com ;
Smith Landing First Nation	Cheyenne Paulette	Chief	(867)872-5154;
Smith Landing First Nation	Cec Heron	Lands & Resources Manager	c_heron@smithlanding.com ;

Organization	Contact Name	Contact Position/Title	Email/Fax
[Snap Lake Environmental Monitoring Agency]	David White	Executive Director	dwhite@slema.ca ;
[Snap Lake Environmental Monitoring Agency]	Zhong Liu	Environmental Analyst	zliu@slema.ca ;
[Tlicho Government - Kwe Beh Working Group if related to mineral exploration / mining in Mowhi Gogha De Niitlee]	Laura Duncan	Executive Director	lauraduncan@tlicho.com ;
[Tlicho Government - Kwe Beh Working Group if related to mineral exploration / mining in Mowhi Gogha De Niitlee]	Ginger Gibson	Technical Consultant	vgibson@interchange.ubc.ca ;
[Tlicho Government - Lands Protection Department if in Mowhi Gogha De Niitlee]	Karri Garner	Lands Manager	kerrigarner@tlicho.com ;
Town of Fort Smith	Dwayne Woodward	A/Senior Administrative Officer	dwoodward@fortsmith.ca ;
Town of Hay River	Michael Richardson	Senior Administrative Officer	mrichardson@hayriver.com ;
WSSC – Employer Services	Susan Abernethy	Manager	Susan.Abernethy@wssc.nt.ca ;
West Point First Nation	Gwen Cayen	Chief	(867)874-2486; wfn@northwestel.net ;
Yellowknives Dene First Nation	Not applicable	Central email	environment@ykdene.com ;
Yellowknives Dene First Nation	Todd Slack	Lands and Environment Office	tslack@ykdene.com
Yellowknives Dene First Nation (Dettah)	Eddie Sangris	Chief	(867)873-5969; esangris@ykdene.com ;
Yellowknives Dene First Nation (Ndilo)	Ted Tsetta	Chief	(867)873-8545; ttsetta@ykdene.com ;

Fax Broadcast Report

Date/Time : OCT-05-2012 12:00PM FRI
Fax Number : 8678736610
Fax Name : MVLWB YK
Model Name : Phaser 3635MFP

Total Pages Scanned: 12

No.	Remote Station	Start Time	Duration	Page	Mode	Job Type	Result
001	18678742486	10-05 11:46AM	02'08	012/012	EC	HS	CP
002	18678725154	10-05 11:49AM	02'08	012/012	EC	HS	CP
003	18678722772	10-05 11:52AM	02'18	012/012	EC	HS	CP
004	18678744472	10-05 11:55AM	02'02	012/012	EC	HS	CP
005	18673943322	10-05 11:58AM	02'08	012/012	EC	HS	CP

Abbreviations:

HS: Host Send	PL: Polled Local	CP: Completed	TS: Terminated by System
HR: Host Receive	PR: Polled Remote	FA: Fail	TU: Terminated by User
MS: Mailbox Save	WS: Waiting To Send	RP: Report	G3: Group3
MP: Mailbox Print	EC: Error Correct		