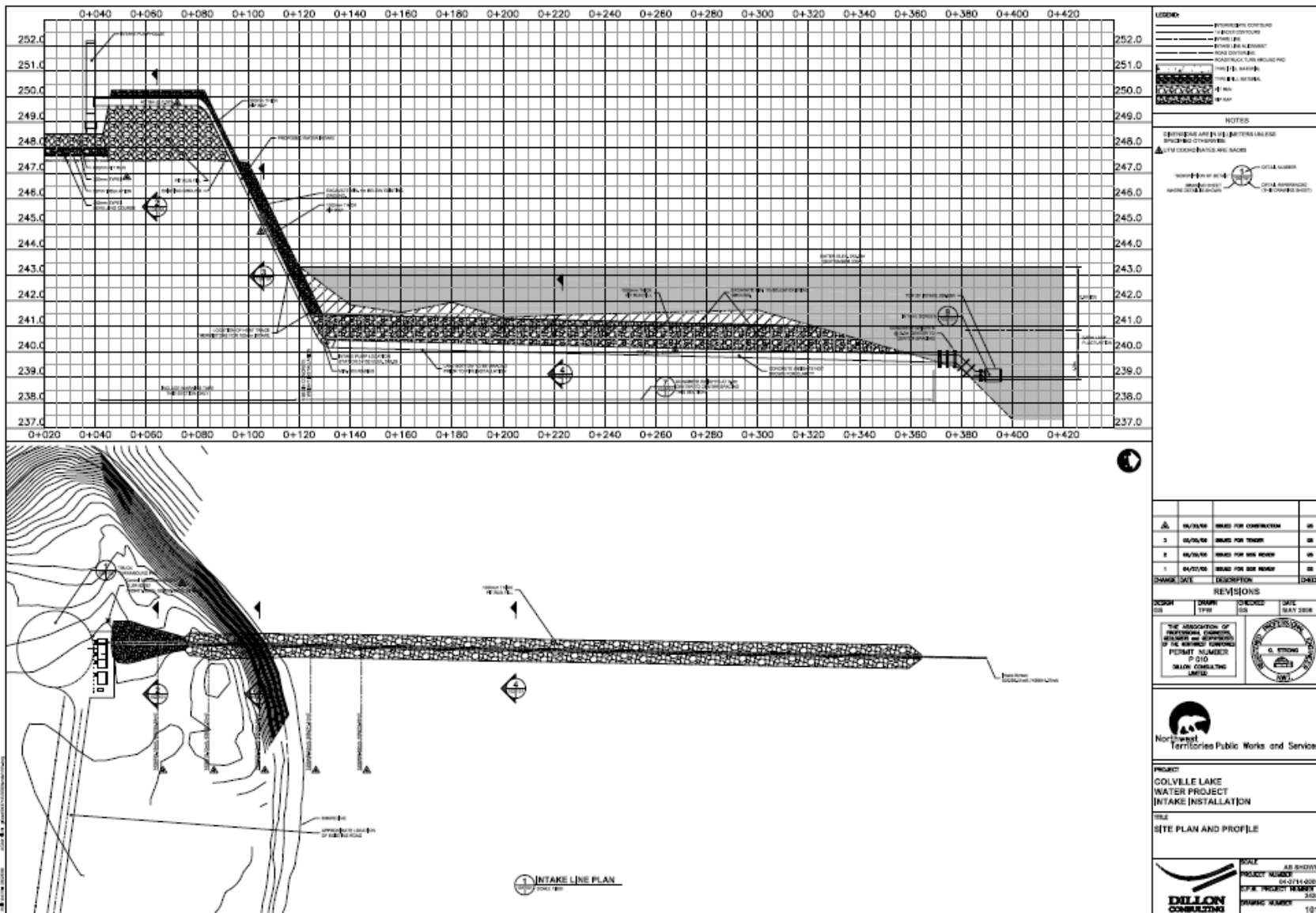
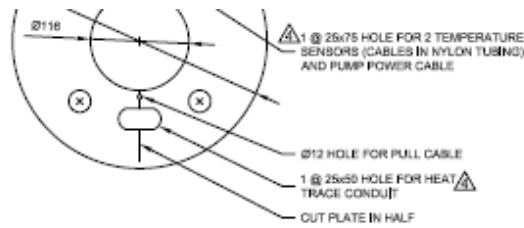


Excerpts from Sheets 102 and 103 of the stamped Construction Set showing profile, plan and detail views “Water project Intake Installation” Dillon Consulting for GNWT Public Works and Services, Colville Lake, NT (project Number 3439) dated May 2006. Showing pump intake end-of-pipe fish screen location and detail.

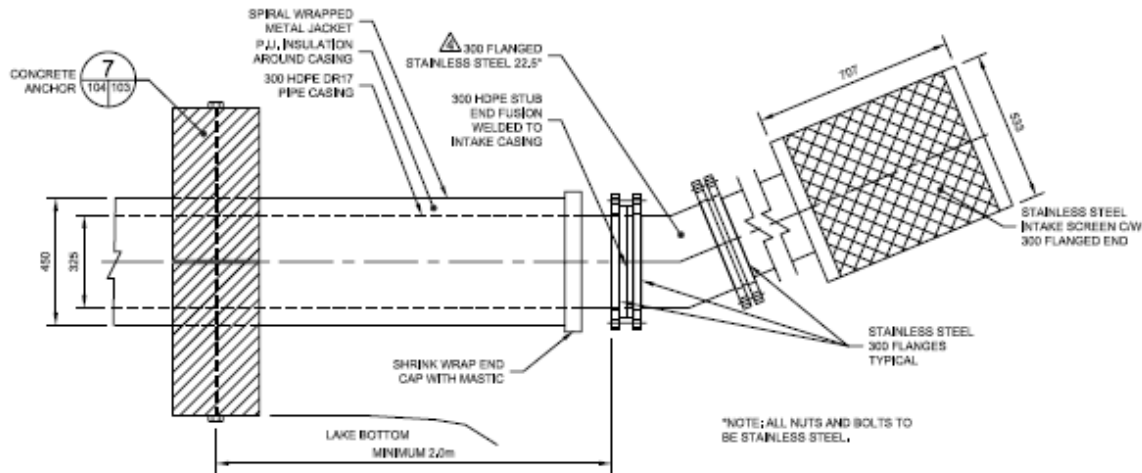


TEMPERATURE
NYLON TUBING)
ILE



6 BACKING PLATE DETAIL
SCALE 1:5

SCALE
EAT



9 INTAKE SCREEN DETAIL
SCALE 1:16

CHANGE	DATE	DESCRIPTION	CHECK
1	04/27/05	ISSUED FOR 50% REVIEW	GS
2	06/29/05	ISSUED FOR 95% REVIEW	GS
3	05/05/06	ISSUED FOR TENDER	GS
	09/30/06	ISSUED FOR CONSTRUCTION	GS

REVISIONS

DESIGN	DRAWN	CHECKED	DATE
GS	TPW	GS	MAY 2006

THE ASSOCIATION OF
PROFESSIONAL ENGINEERS,
GEOLOGISTS and GEOPHYSICISTS
OF THE NORTHWEST TERRITORIES
**PERMIT NUMBER
P 010**
DILLON CONSULTING
LIMITED



PROJECT
**COLVILLE LAKE
WATER PROJECT
INTAKE INSTALLATION**

TITLE
**INTAKE PUMP CASING AND SCREEN
DETAILS**

	SCALE	AS SHOWN
	PROJECT NUMBER	04-3714-2000
	P.W. PROJECT NUMBER	3439
	DRAWING NUMBER	103