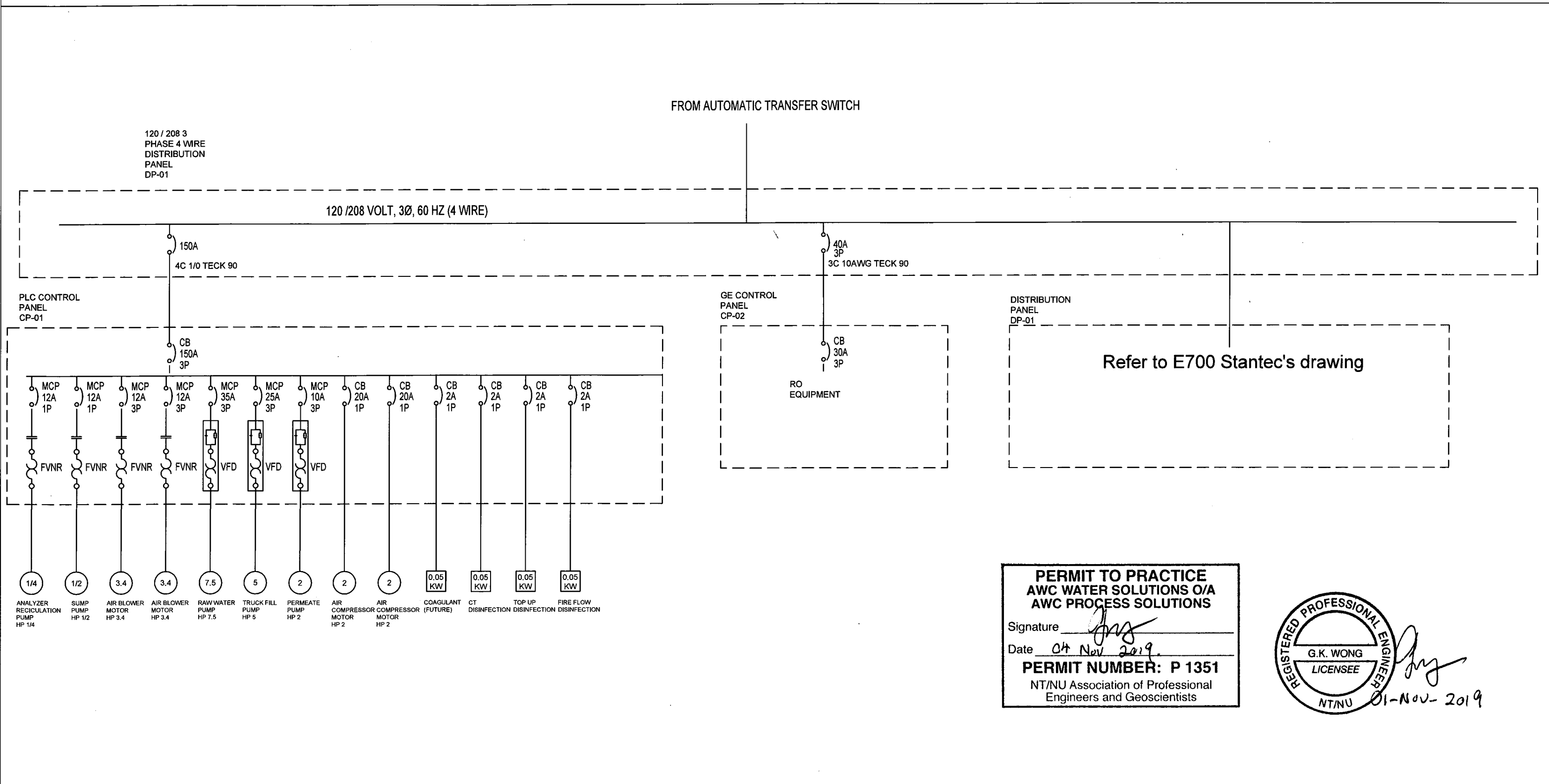




ELECTRICAL CONTROL, INSTRUMENTATION AND POWER DIAGRAMS

ELECTRICAL DIAGRAM



| REV | DESCRIPTION | BY | CHK'D | APP'D | DATE |
|------------------------------|-------------------------------------|-----|-------|-------|----------|
| 4 | AS-BUILT | CH | GW | EJB | 10-31-19 |
| 3 | ANALOG MODULE ADDED AND I/O CHANGES | AKS | AKS | - | 2-12-18 |
| 2 | ISSUED FOR CONSTRUCTION | JCT | SK | - | 09-11-18 |
| 1 | 100% SUBMITTAL | JCT | SK | - | 07-17-18 |
| 0 | PRELIMINARY | JCT | SK | - | 03-23-18 |
| PID REVISION USED FOR DESIGN | | | | | |

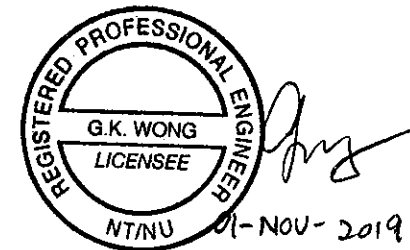
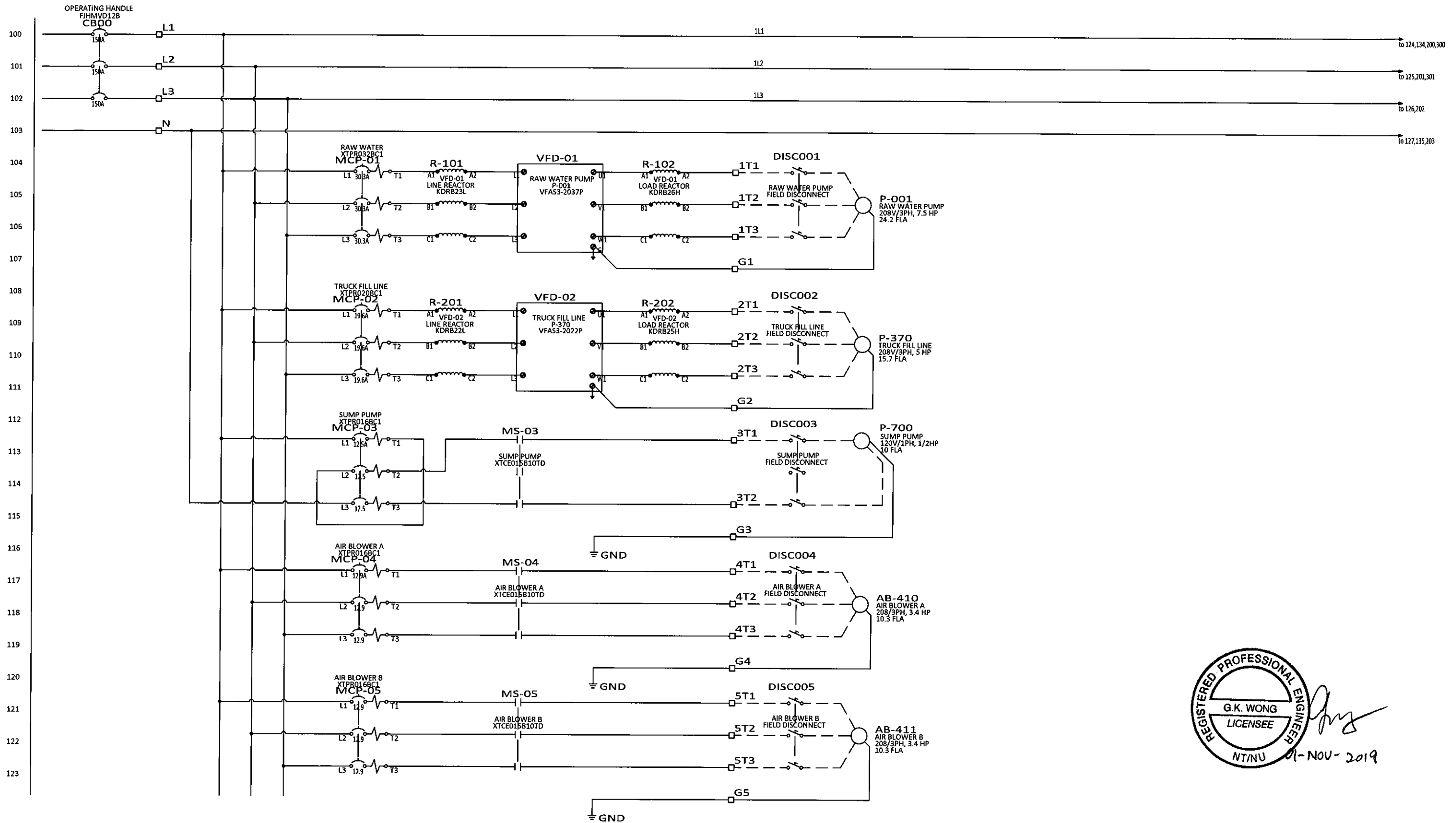
NOTE

THIS DRAWING IS THE PROPERTY OF AWC WATER SOLUTIONS, AND CONTAINS PROPRIETARY AND CONFIDENTIAL INFORMATION WHICH MUST NOT BE DUPLICATED, USED OR DISCLOSED OTHER THAN EXPRESSLY AUTHORIZED BY AWC WATER SOLUTIONS.

AWC WATER SOLUTIONS LTD.

#104-19074 22nd Avenue Surrey, BC Canada V3Z 3S6
 Phone : 604-638-0760 Fax: 604-638-0795
 www.awcwater.com

| | | |
|-------------|----------|--------------------------------|
| DRAWN | JCT | GNWT |
| DESIGN | JCT | (S010338) |
| CHECKED | JCT | Gameti |
| APPROVED | JY | SINGLE LINE |
| DATE | 03-19-18 | ELECTRICAL AND CONTROL DIAGRAM |
| SCALE | N.T.S. | 1 OF 41 |
| DRAWING NO. | 10338-21 | REV 4 |



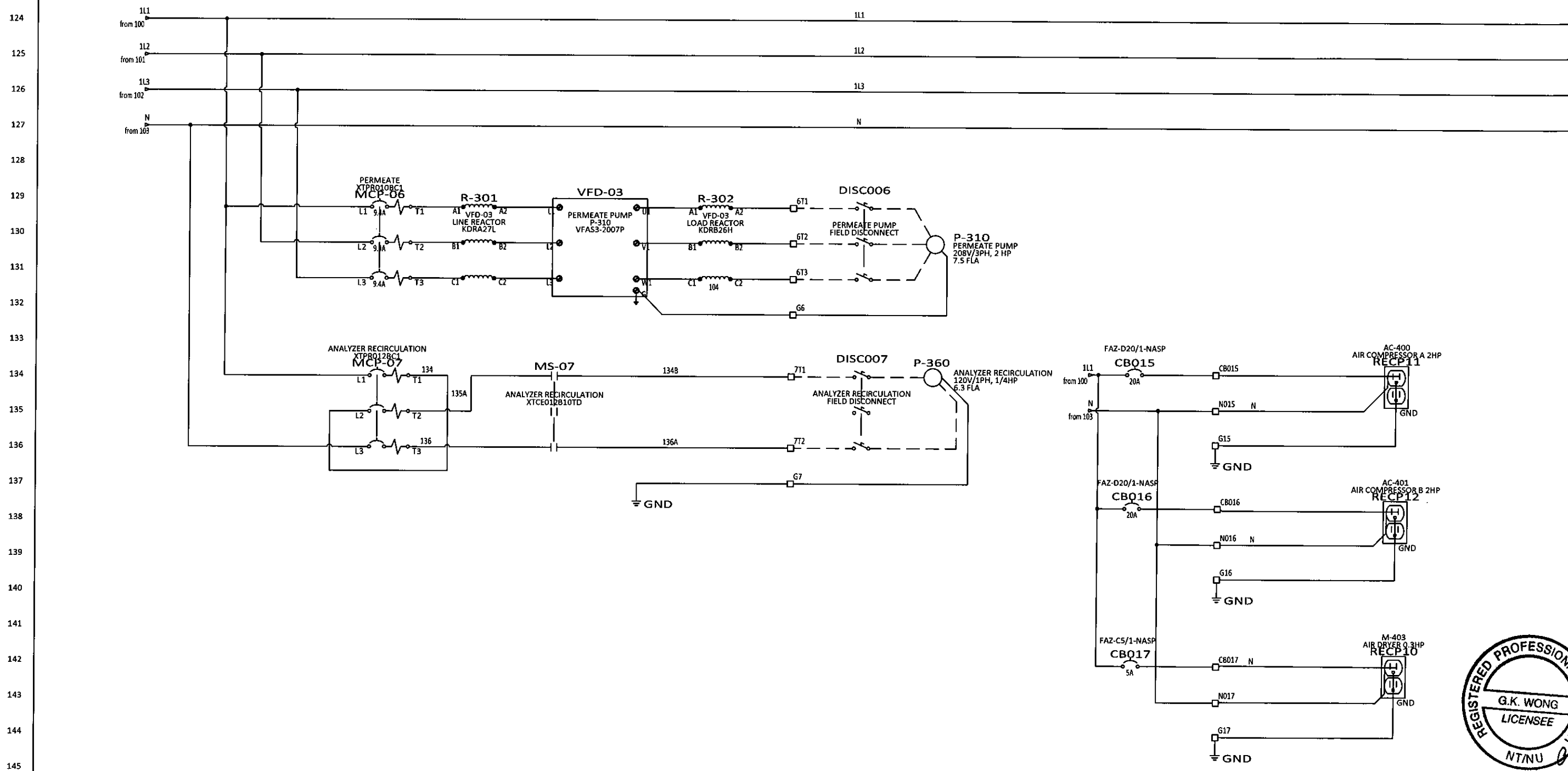
| REV | DESCRIPTION | BY | CHK'D | APP'D | DATE |
|------------------------------|-------------------------------------|-----|-------|-------|----------|
| 4 | AS-BUILT | CH | GW | EJB | 10-31-19 |
| 3 | ANALOG MODULE ADDED AND I/O CHANGES | AKS | AKS | - | 2-12-18 |
| 2 | ISSUED FOR CONSTRUCTION | JCT | SK | - | 09-11-18 |
| 1 | 100% SUBMITTAL | JCT | SK | - | 07-17-18 |
| 0 | PRELIMINARY | JCT | SK | - | 03-23-18 |
| PID REVISION USED FOR DESIGN | | REV | | | |

NOTE
THIS DRAWING IS THE PROPERTY OF AWC WATER SOLUTIONS, AND CONTAINS PROPRIETARY AND CONFIDENTIAL INFORMATION WHICH MUST NOT BE DUPLICATED, USED OR DISCLOSED OTHER THAN EXPRESSLY AUTHORIZED BY AWC WATER SOLUTIONS.

AWC WATER SOLUTIONS LTD.
#104-19074 22nd Avenue Surrey, BC Canada V3Z 3S6
Phone : 604-638-0760 Fax: 604-638-0795
www.awcwater.com

| | | | |
|----------|----------|--------------------------------|--------------------|
| DRAWN | JCT | GNWT | (S010338) |
| DESIGN | JCT | Gameti | Power Distribution |
| CHECKED | JCT | ELECTRICAL AND CONTROL DIAGRAM | |
| APPROVED | JY | 2 OF 41 | |
| DATE | 03-19-18 | DRAWING NO. | 10338-21 |
| SCALE | N.T.S. | REV | 4 |

ELECTRICAL DIAGRAM



REGISTERED PROFESSIONAL ENGINEER
 G.K. WONG
 LICENSEE
 NTNU 01-Nov-2019

| REV | DESCRIPTION | BY | CHK'D | APP'D | DATE |
|-----|-------------------------------------|-----|-------|-------|----------|
| 4 | AS-BUILT | CH | GW | EJB | 10-31-19 |
| 3 | ANALOG MODULE ADDED AND I/O CHANGES | AKS | AKS | - | 2-12-18 |
| 2 | ISSUED FOR CONSTRUCTION | JCT | SK | - | 09-11-18 |
| 1 | 100% SUBMITTAL | JCT | SK | - | 07-17-18 |
| 0 | PRELIMINARY | JCT | SK | - | 03-23-18 |
| | PID REVISION USED FOR DESIGN | | | | |

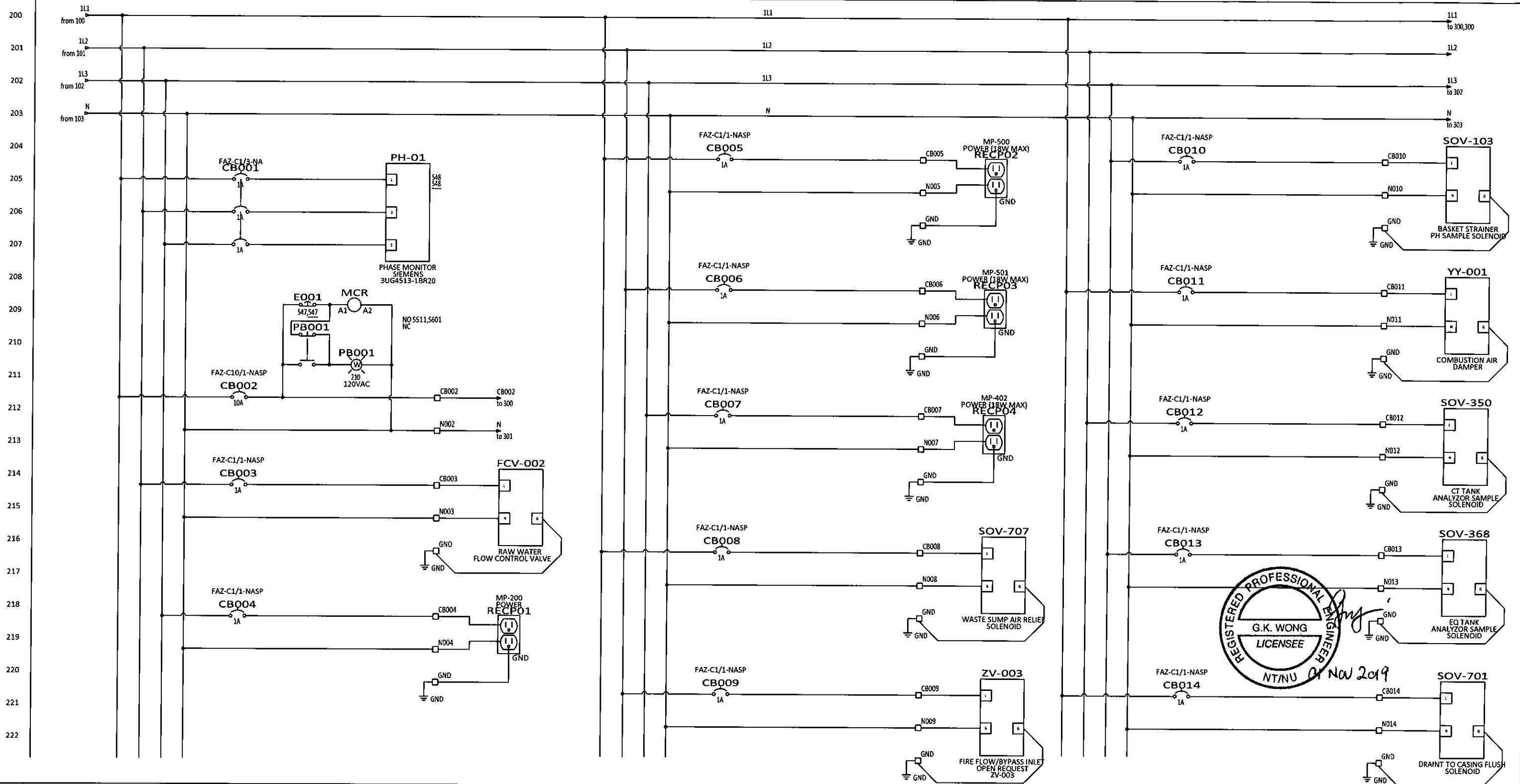
NOTE

THIS DRAWING IS THE PROPERTY OF AWC WATER SOLUTIONS, AND CONTAINS PROPRIETARY AND CONFIDENTIAL INFORMATION WHICH MUST NOT BE DUPLICATED, USED OR DISCLOSED OTHER THAN EXPRESSLY AUTHORIZED BY AWC WATER SOLUTIONS.

AWC WATER SOLUTIONS LTD.
 #104-19074 22nd Avenue Surrey, BC Canada V3Z 3S6
 Phone: 604-638-0760 Fax: 604-638-0795
 www.awcwater.com

| | | |
|----------|----------|--|
| DRAWN | JCT | GNWT (S010338) Gameti POWER DISTRIBUTION ELECTRICAL AND CONTROL DIAGRAM 3 OF 41 |
| DESIGN | JCT | |
| CHECKED | JCT | |
| APPROVED | JY | |
| DATE | 03-19-18 | |
| SCALE | N.T.S. | DRAWING NO. 10338-21 |
| | | REV 4 |

ELECTRICAL DIAGRAM



REGISTERED PROFESSIONAL ENGINEER
 G.K. WONG
 LICENSEE
 NT/NU Nov 2019

| REV | DESCRIPTION | BY | CHK'D | APP'D | DATE |
|------------------------------|-------------------------------------|-----|-------|-------|----------|
| 4 | AS-BUILT | CH | GW | EJB | 10-31-19 |
| 3 | ANALOG MODULE ADDED AND I/O CHANGES | AKS | AKS | - | 2-12-18 |
| 2 | ISSUED FOR CONSTRUCTION | JCT | SK | - | 09-11-18 |
| 1 | 100% SUBMITTAL | JCT | SK | - | 07-17-18 |
| 0 | PRELIMINARY | JCT | SK | - | 03-23-18 |
| PID REVISION USED FOR DESIGN | | REV | | | |

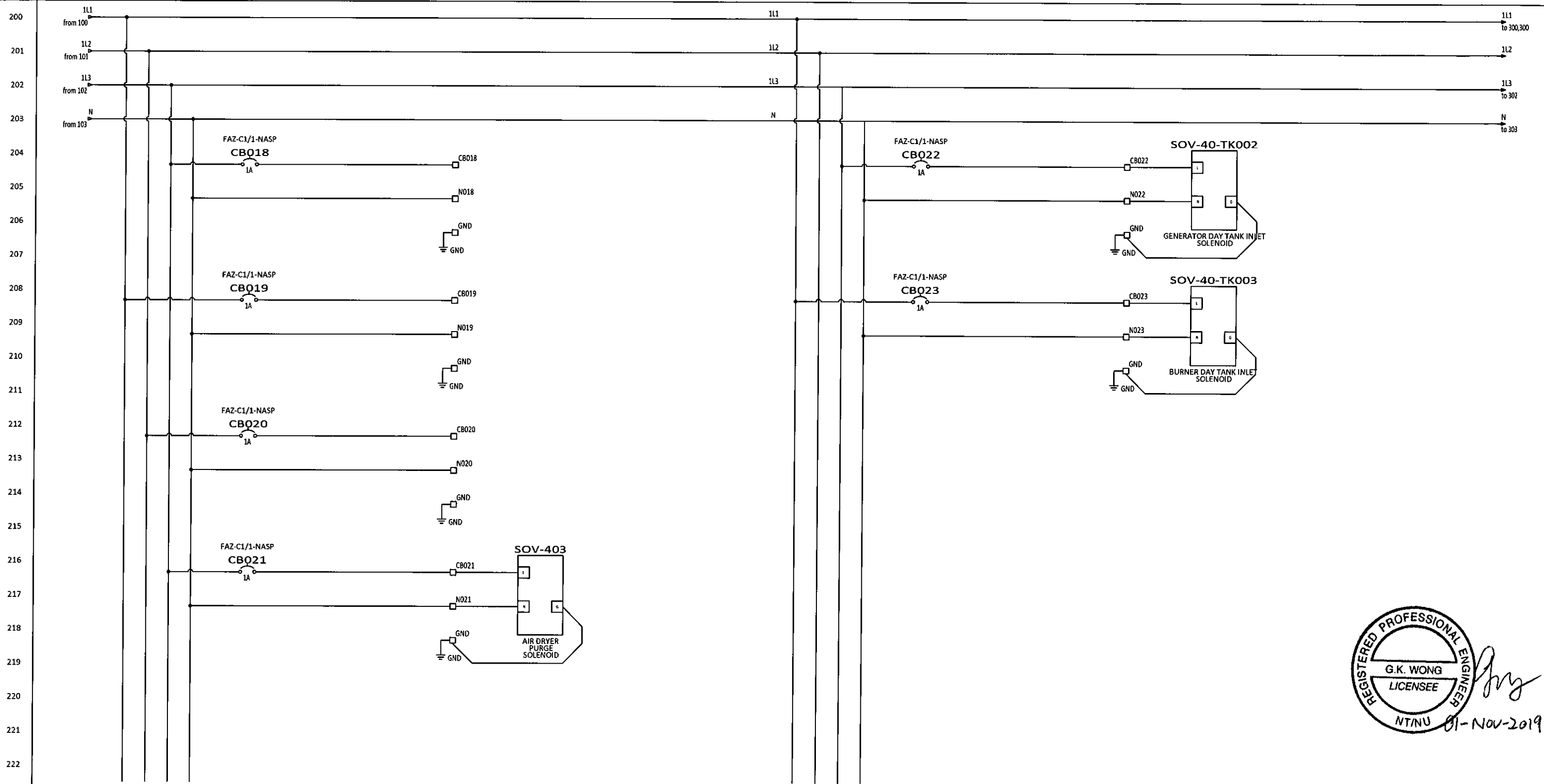
NOTE

THIS DRAWING IS THE PROPERTY OF AWC WATER SOLUTIONS, AND CONTAINS PROPRIETARY AND CONFIDENTIAL INFORMATION WHICH MUST NOT BE DUPLICATED, USED OR DISCLOSED OTHER THAN EXPRESSLY AUTHORIZED BY AWC WATER SOLUTIONS.

AWC WATER SOLUTIONS LTD.
 #104-19074 22nd Avenue Surrey, BC Canada V3Z 3S6
 Phone : 604-638-0760 Fax: 604-638-0795
 www.awcwater.com

| | | |
|-------------|----------|--------------------------------|
| DRAWN | JCT | GNWT |
| DESIGN | JCT | (S010338) |
| CHECKED | JCT | Gameti |
| APPROVED | JY | POWER DISTRIBUTION |
| DATE | 03-19-18 | ELECTRICAL AND CONTROL DIAGRAM |
| SCALE | N.T.S. | 4 OF 41 |
| DRAWING NO. | 10338-21 | REV 4 |


ELECTRICAL DIAGRAM



| REV | DESCRIPTION | BY | CHK'D | APP'D | DATE |
|------------------------------|-------------------------------------|-----|-------|-------|----------|
| 4 | AS-BUILT | CH | GW | EJB | 10-31-19 |
| 3 | ANALOG MODULE ADDED AND I/O CHANGES | AKS | AKS | - | 2-12-18 |
| 2 | ISSUED FOR CONSTRUCTION | JCT | SK | - | 09-11-18 |
| 1 | 100% SUBMITTAL | JCT | SK | - | 07-17-18 |
| 0 | PRELIMINARY | JCT | SK | - | 03-23-18 |
| PID REVISION USED FOR DESIGN | | | | | |

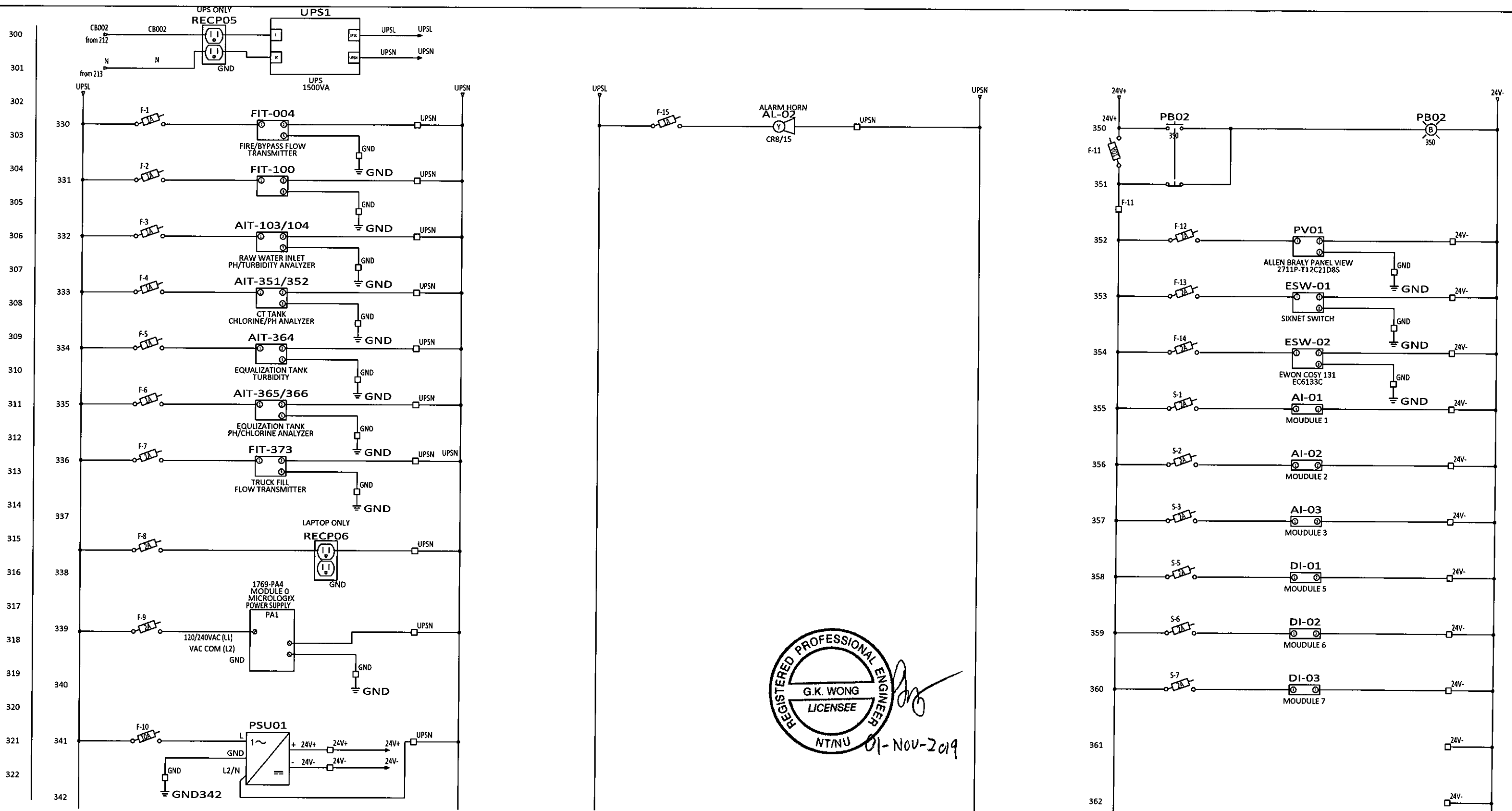
NOTE

THIS DRAWING IS THE PROPERTY OF AWC WATER SOLUTIONS, AND CONTAINS PROPRIETARY AND CONFIDENTIAL INFORMATION WHICH MUST NOT BE DUPLICATED, USED OR DISCLOSED OTHER THAN EXPRESSLY AUTHORIZED BY AWC WATER SOLUTIONS.


AWC WATER SOLUTIONS LTD.
 #104-19074 22nd Avenue Surrey, BC Canada V3Z 3S6
 Phone: 604-638-0760 Fax: 604-638-0795
 www.awcwater.com

| | | | |
|----------|----------|--------------------------------|-----------|
| DRAWN | JCT | GNWT | (S010338) |
| DESIGN | JCT | Gameti | |
| CHECKED | JCT | POWER DISTRIBUTION | |
| APPROVED | JY | ELECTRICAL AND CONTROL DIAGRAM | |
| DATE | 03-19-18 | 5 OF 41 | |
| SCALE | N.T.S. | DRAWING NO. | 10338-21 |
| | | REV | 4 |

ELECTRICAL DIAGRAM



| REV | DESCRIPTION | BY | CHK'D | APP'D | DATE |
|------------------------------|-------------------------------------|-----|-------|-------|----------|
| 4 | AS-BUILT | CH | GW | EJB | 10-31-19 |
| 3 | ANALOG MODULE ADDED AND I/O CHANGES | AKS | AKS | - | 2-12-18 |
| 2 | ISSUED FOR CONSTRUCTION | JCT | SK | - | 09-11-18 |
| 1 | 100% SUBMITTAL | JCT | SK | - | 07-17-18 |
| 0 | PRELIMINARY | JCT | SK | - | 03-23-18 |
| REV | DESCRIPTION | BY | CHK'D | APP'D | DATE |
| PID REVISION USED FOR DESIGN | | REV | | | |

NOTE

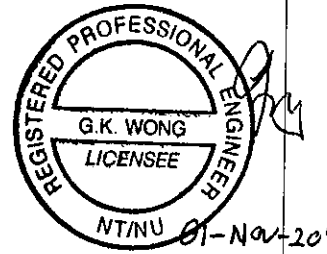
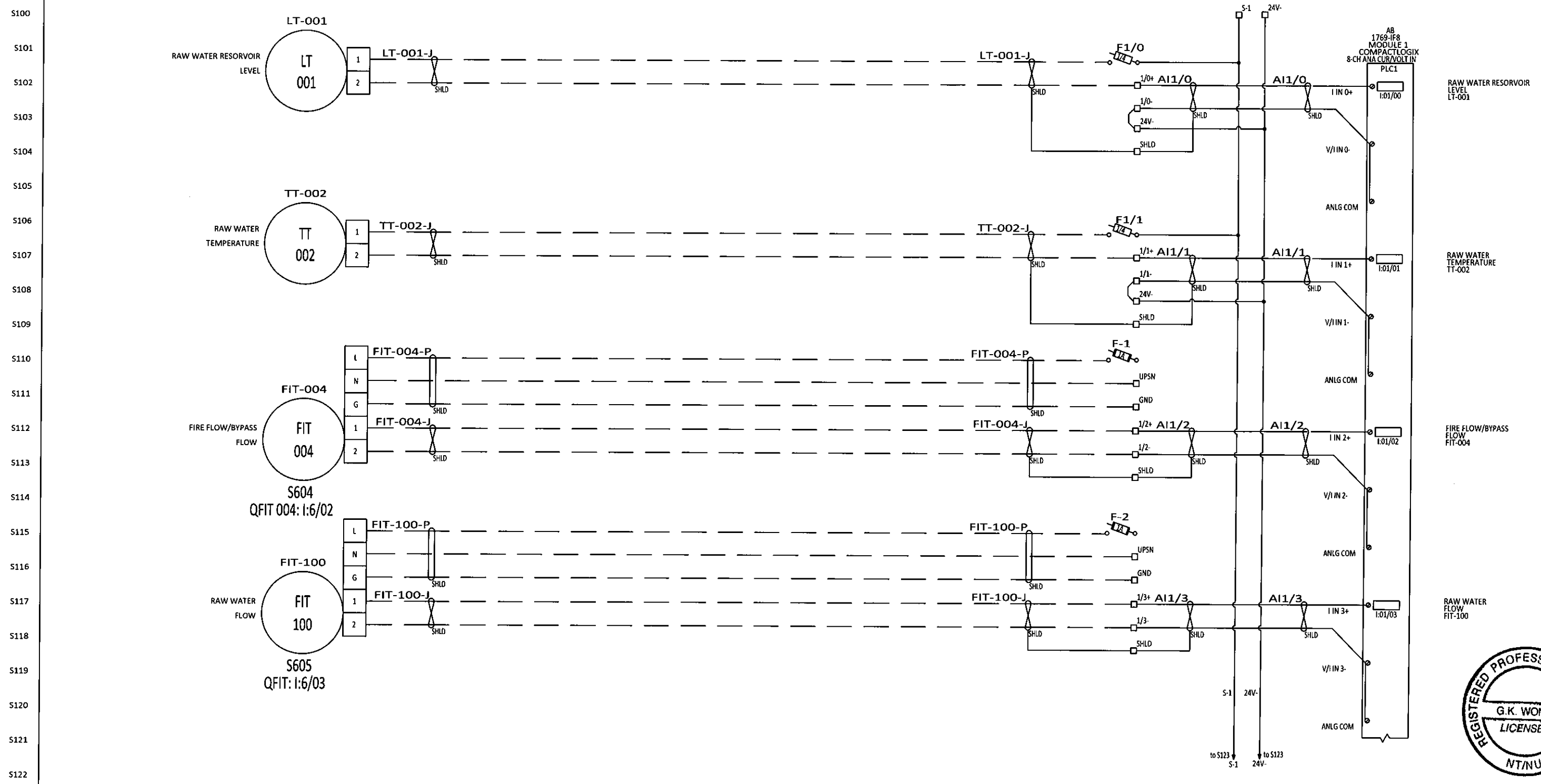
THIS DRAWING IS THE PROPERTY OF AWC WATER SOLUTIONS, AND CONTAINS PROPRIETARY AND CONFIDENTIAL INFORMATION WHICH MUST NOT BE DUPLICATED, USED OR DISCLOSED OTHER THAN EXPRESSLY AUTHORIZED BY AWC WATER SOLUTIONS.

AWC WATER SOLUTIONS LTD.

#104-19074 22nd Avenue Surrey, BC Canada V3Z 3S6
 Phone : 604-638-0760 Fax: 604-638-0795
 www.awcwater.com

| | | |
|-------------|----------|--|
| DRAWN | JCT | GNWT (SO10338) Gameti POWER DISTRIBUTION ELECTRICAL AND CONTROL DIAGRAM 6 OF 41 |
| DESIGN | JCT | |
| CHECKED | JCT | |
| APPROVED | JY | |
| DATE | 03-19-18 | |
| SCALE | N.T.S. | |
| DRAWING NO. | 10338-21 | |
| REV | 4 | |

ELECTRICAL DIAGRAM



| REV | DESCRIPTION | BY | CHK'D | APP'D | DATE |
|------------------------------|-------------------------------------|-----|-------|-------|----------|
| 4 | AS-BUILT | CH | GW | EJB | 10-31-19 |
| 3 | ANALOG MODULE ADDED AND I/O CHANGES | AKS | AKS | - | 2-12-19 |
| 2 | ISSUED FOR CONSTRUCTION | JCT | SK | - | 09-11-18 |
| 1 | 100% SUBMITTAL | JCT | SK | - | 07-17-18 |
| 0 | PRELIMINARY | JCT | SK | - | 03-23-18 |
| PID REVISION USED FOR DESIGN | | REV | | | |

NOTE

THIS DRAWING IS THE PROPERTY OF AWC WATER SOLUTIONS, AND CONTAINS PROPRIETARY AND CONFIDENTIAL INFORMATION WHICH MUST NOT BE DUPLICATED, USED OR DISCLOSED OTHER THAN EXPRESSLY AUTHORIZED BY AWC WATER SOLUTIONS.

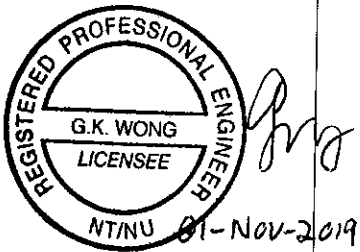
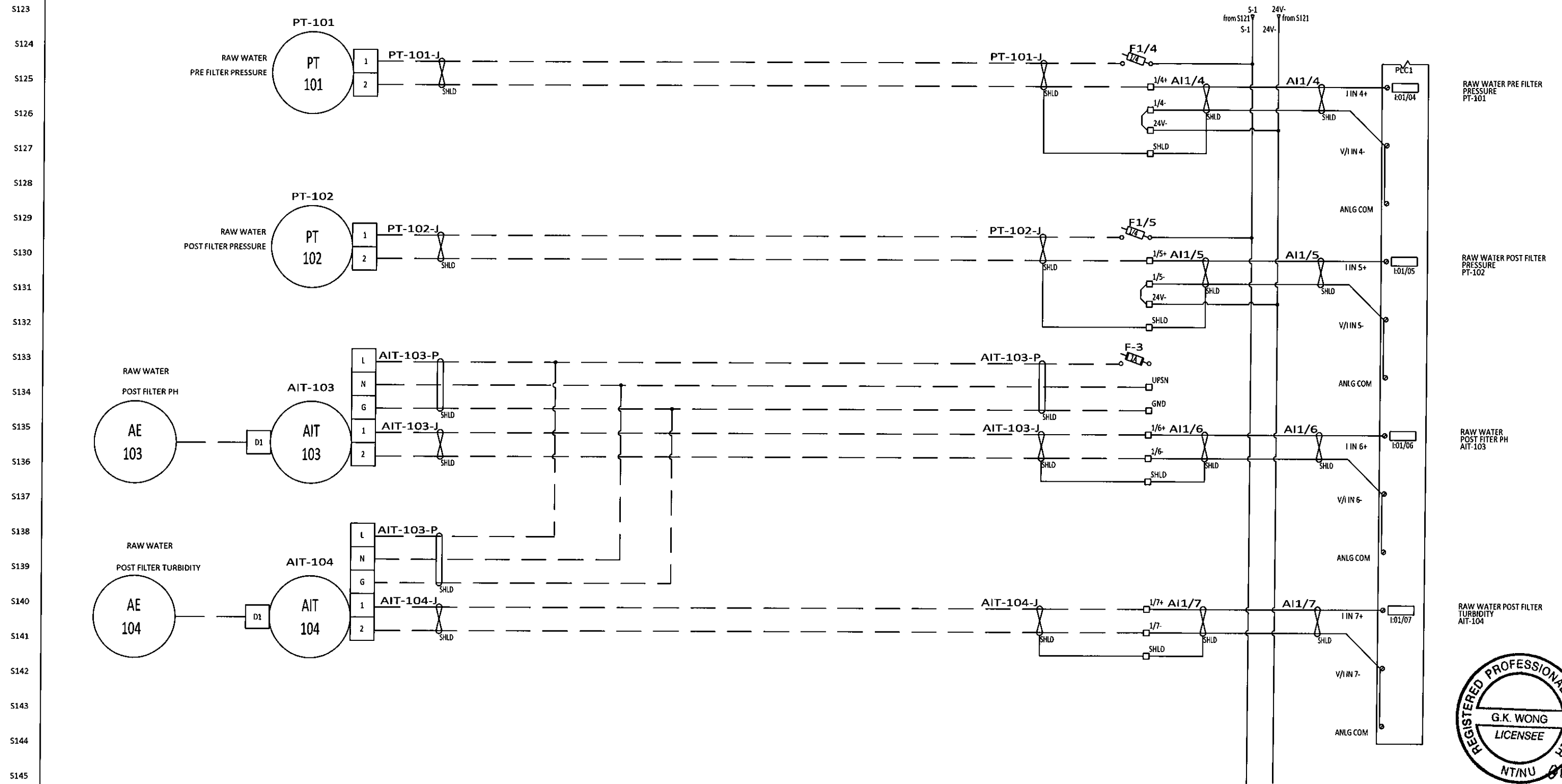
AWC WATER SOLUTIONS LTD.

#104-19074 22nd Avenue Surrey, BC Canada V3Z 3S6
 Phone : 604-638-0760 Fax: 604-638-0795
 www.awcwater.com

| | |
|----------|----------|
| DRAWN | JCT |
| DESIGN | JCT |
| CHECKED | JCT |
| APPROVED | JY |
| DATE | 03-19-18 |
| SCALE | N.T.S. |

| | |
|--|-------------------------------|
| GNWT (S010338) Gameti PLC MODULE 1 ELECTRICAL AND CONTROL DIAGRAM 7 OF 41 | DRAWING NO. 10338-21 REV 4 |
|--|-------------------------------|


ELECTRICAL DIAGRAM



| REV | DESCRIPTION | BY | CHK'D | APP'D | DATE |
|------------------------------|-------------------------------------|-----|-------|-------|----------|
| 4 | AS-BUILT | CH | GW | EJB | 10-31-19 |
| 3 | ANALOG MODULE ADDED AND I/O CHANGES | AKS | AKS | - | 2-12-19 |
| 2 | ISSUED FOR CONSTRUCTION | JCT | SK | - | 09-11-18 |
| 1 | 100% SUBMITTAL | JCT | SK | - | 07-17-18 |
| 0 | PRELIMINARY | JCT | SK | - | 03-23-18 |
| PID REVISION USED FOR DESIGN | | REV | | | |

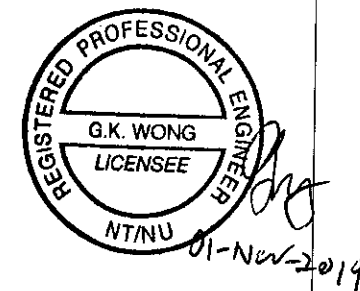
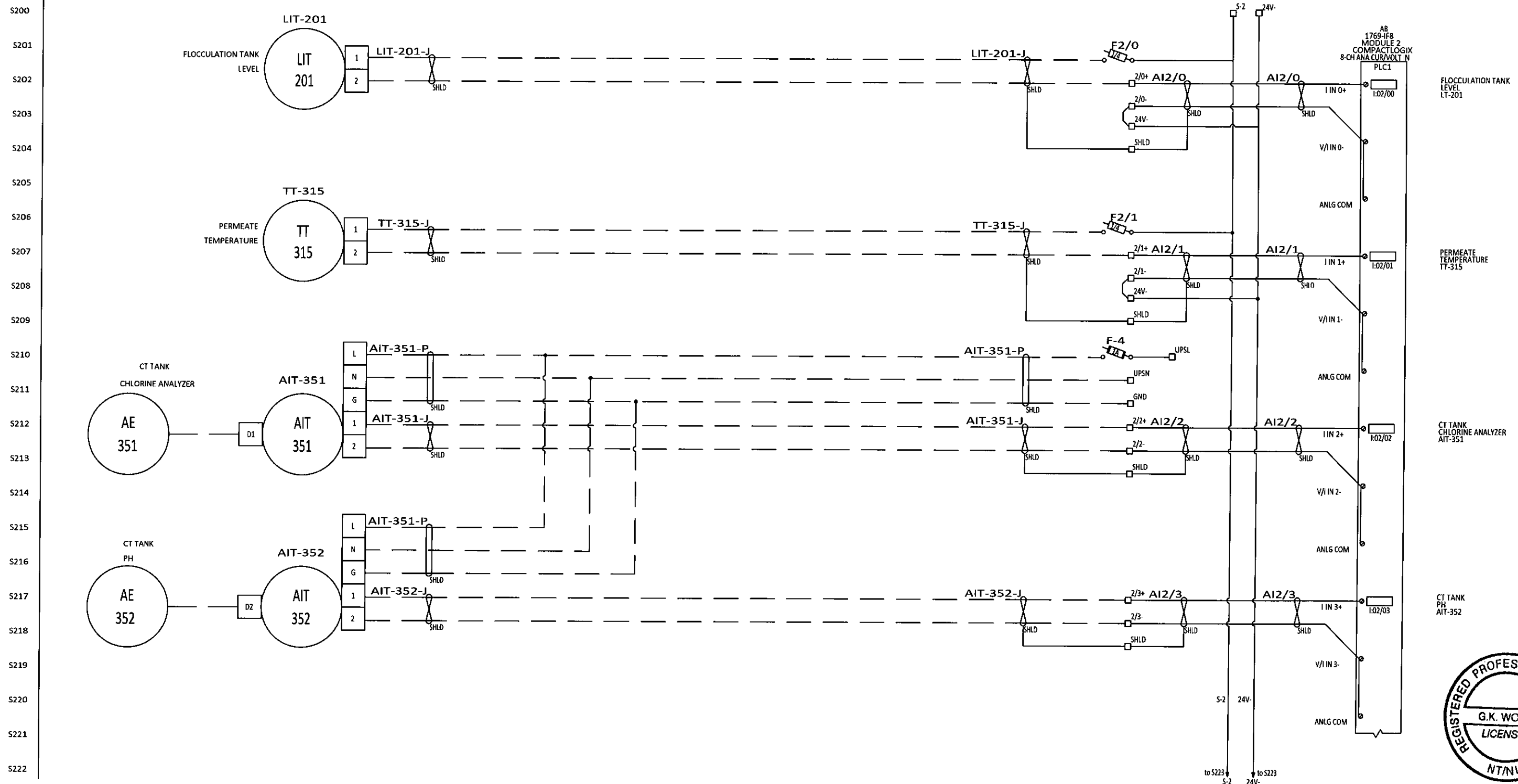
NOTE

THIS DRAWING IS THE PROPERTY OF AWC WATER SOLUTIONS, AND CONTAINS PROPRIETARY AND CONFIDENTIAL INFORMATION WHICH MUST NOT BE DUPLICATED, USED OR DISCLOSED OTHER THAN EXPRESSLY AUTHORIZED BY AWC WATER SOLUTIONS.


AWC WATER SOLUTIONS LTD.
 #104-19074 22nd Avenue Surrey, BC Canada V3Z 3S6
 Phone : 604-638-0760 Fax: 604-638-0795
 www.awcwater.com

| | | | |
|----------|----------|--------------------------------|-----------|
| DRAWN | JCT | GNWT | (S010338) |
| DESIGN | JCT | Gameti | |
| CHECKED | JCT | PLC MODULE 1 | |
| APPROVED | JY | ELECTRICAL AND CONTROL DIAGRAM | |
| DATE | 03-19-18 | 8 OF 41 | |
| SCALE | N.T.S. | DRAWING NO. | 10338-21 |
| | | REV | 4 |


ELECTRICAL DIAGRAM



| REV | DESCRIPTION | BY | CHK'D | APP'D | DATE |
|------------------------------|-------------------------------------|-----|-------|-------|----------|
| 4 | AS-BUILT | CH | GW | EJB | 10-31-19 |
| 3 | ANALOG MODULE ADDED AND I/O CHANGES | AKS | AKS | - | 2-12-18 |
| 2 | ISSUED FOR CONSTRUCTION | JCT | SK | - | 09-11-18 |
| 1 | 100% SUBMITTAL | JCT | SK | - | 07-17-18 |
| 0 | PRELIMINARY | JCT | SK | - | 03-23-18 |
| PID REVISION USED FOR DESIGN | | | | | |

NOTE

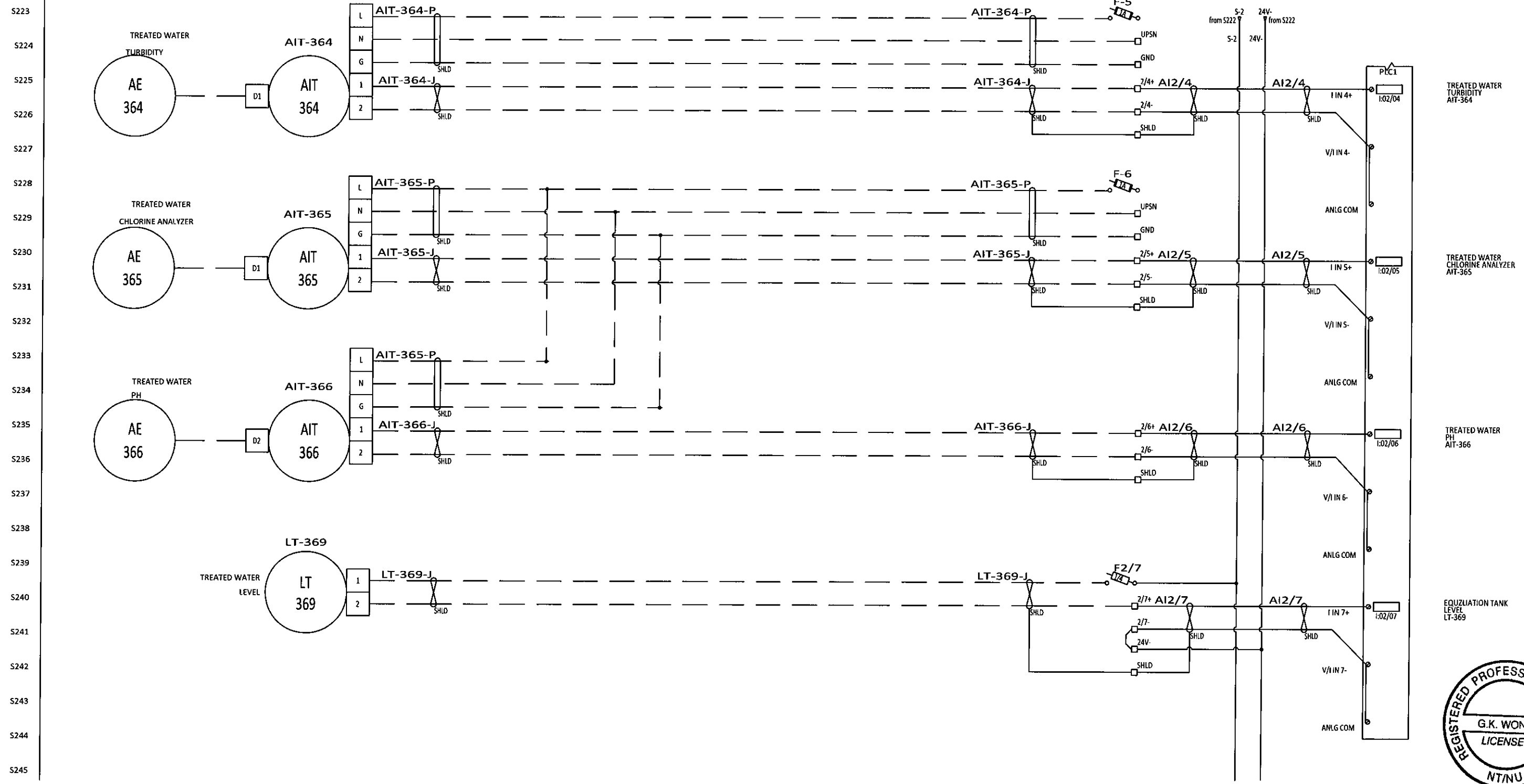
THIS DRAWING IS THE PROPERTY OF AWC WATER SOLUTIONS, AND CONTAINS PROPRIETARY AND CONFIDENTIAL INFORMATION WHICH MUST NOT BE DUPLICATED, USED OR DISCLOSED OTHER THAN EXPRESSLY AUTHORIZED BY AWC WATER SOLUTIONS.


AWC WATER SOLUTIONS LTD.
 #104-19074 22nd Avenue Surrey, BC Canada V3Z 3S6
 Phone : 604-638-0760 Fax: 604-638-0795
 www.awcwater.com

| | |
|----------|----------|
| DRAWN | JCT |
| DESIGN | JCT |
| CHECKED | JCT |
| APPROVED | JY |
| DATE | 03-19-18 |
| SCALE | N.T.S. |

| | | |
|---|----------------------|-------|
| GNWT (S010338) Gameiti PLC MODULE 2 ELECTRICAL AND CONTROL DIAGRAM 9 OF 41 | DRAWING NO. 10338-21 | REV 4 |
|---|----------------------|-------|

ELECTRICAL DIAGRAM



| REV | DESCRIPTION | BY | CHK'D | APP'D | DATE |
|------------------------------|-------------------------------------|-----|-------|-------|----------|
| 4 | AS BUILT | CH | GW | EJB | 10-31-19 |
| 3 | ANALOG MODULE ADDED AND I/O CHANGES | AKS | AKS | - | 2-12-18 |
| 2 | ISSUED FOR CONSTRUCTION | JCT | SK | - | 09-11-18 |
| 1 | 100% SUBMITTAL | JCT | SK | - | 07-17-18 |
| 0 | PRELIMINARY | JCT | SK | - | 03-23-18 |
| PID REVISION USED FOR DESIGN | | | | | |

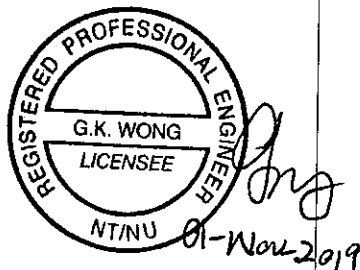
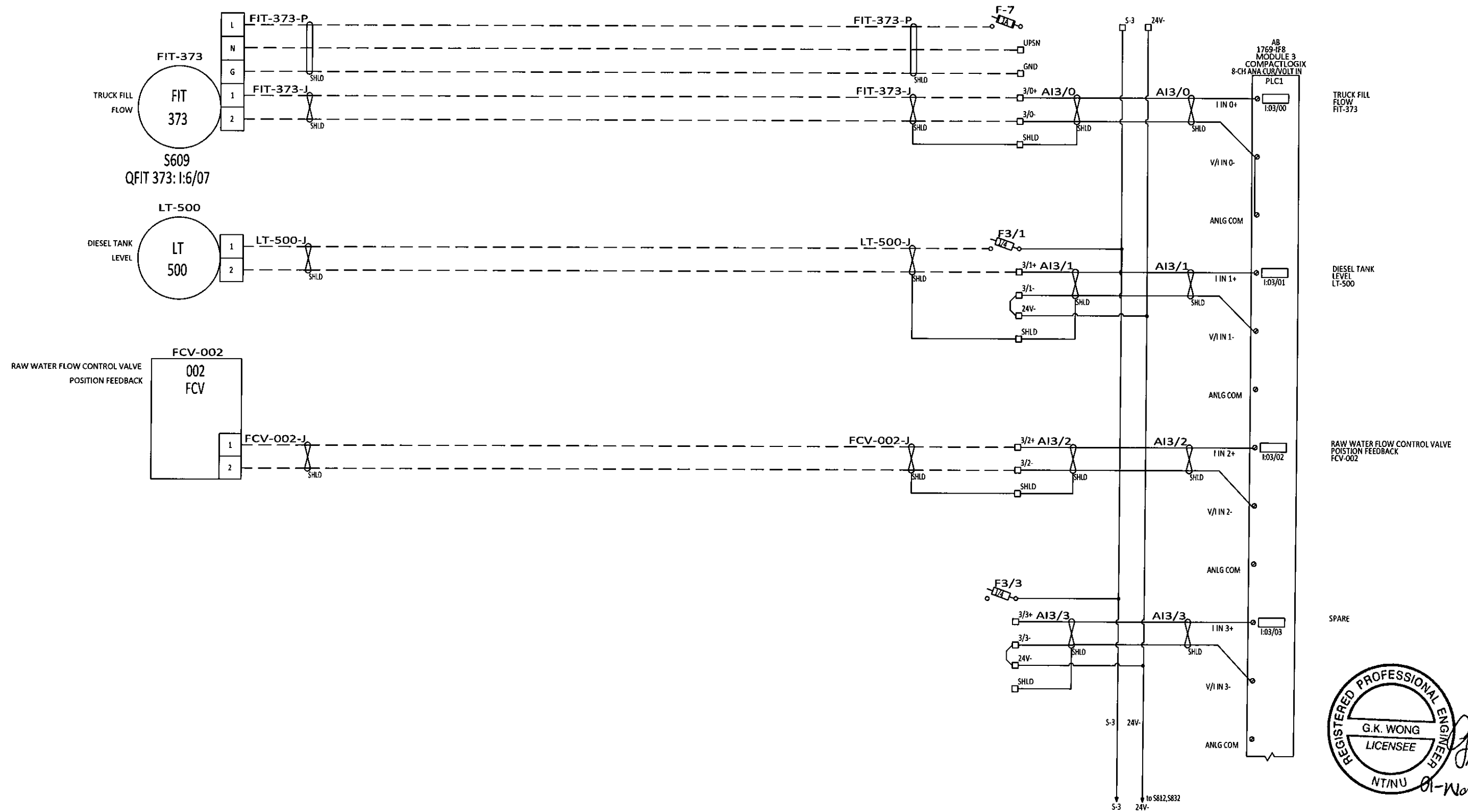
NOTE

THIS DRAWING IS THE PROPERTY OF AWC WATER SOLUTIONS, AND CONTAINS PROPRIETARY AND CONFIDENTIAL INFORMATION WHICH MUST NOT BE DUPLICATED, USED OR DISCLOSED OTHER THAN EXPRESSLY AUTHORIZED BY AWC WATER SOLUTIONS.

AWC WATER SOLUTIONS LTD.
 #104-19074 22nd Avenue Surrey, BC Canada V3Z 3S6
 Phone : 604-638-0760 Fax: 604-638-0795
 www.awcwater.com

| | | |
|----------|----------|--------------------------------|
| DRAWN | JCT | GNWT (SO10338) |
| DESIGN | JCT | Gameti |
| CHECKED | JCT | PLC MODULE 2 |
| APPROVED | JY | ELECTRICAL AND CONTROL DIAGRAM |
| DATE | 03-19-18 | 10 OF 41 |
| SCALE | N.T.S. | DRAWING NO. 10338-21 |
| | | REV 4 |

ELECTRICAL DIAGRAM



| REV | DESCRIPTION | BY | CHK'D | APP'D | DATE |
|------------------------------|-------------------------------------|-----|-------|-------|----------|
| 4 | AS BUILT | CH | GW | EJB | 10-31-19 |
| 3 | ANALOG MODULE ADDED AND I/O CHANGES | AKS | AKS | - | 2-12-18 |
| 2 | ISSUED FOR CONSTRUCTION | JCT | SK | - | 09-11-18 |
| 1 | 100% SUBMITTAL | JCT | SK | - | 07-17-18 |
| 0 | PRELIMINARY | JCT | SK | - | 03-23-18 |
| PID REVISION USED FOR DESIGN | | REV | | | |

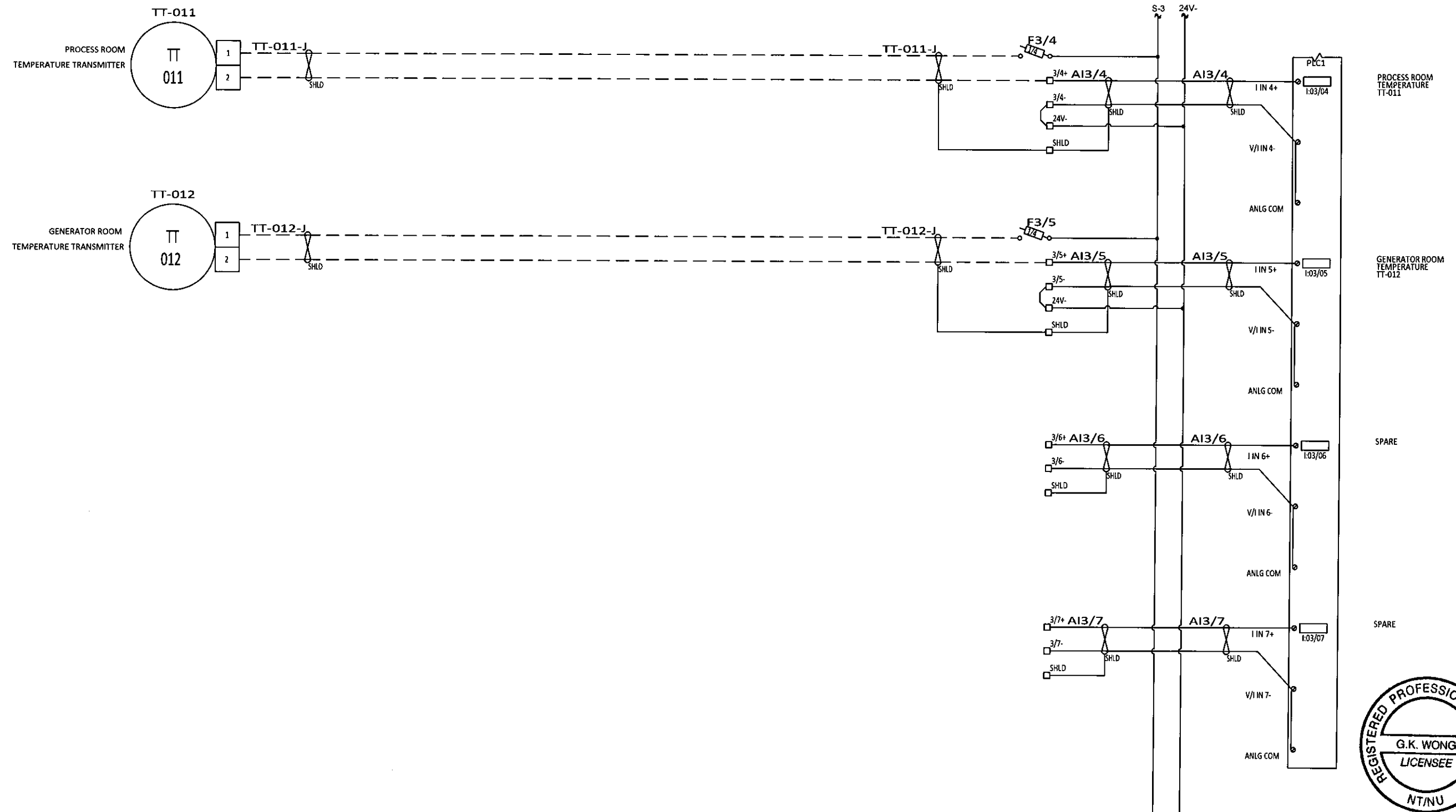
NOTE

THIS DRAWING IS THE PROPERTY OF AWC WATER SOLUTIONS, AND CONTAINS PROPRIETARY AND CONFIDENTIAL INFORMATION WHICH MUST NOT BE DUPLICATED, USED OR DISCLOSED OTHER THAN EXPRESSLY AUTHORIZED BY AWC WATER SOLUTIONS.

AWC WATER SOLUTIONS LTD.
 #104-19074 22nd Avenue Surrey, BC Canada V3Z 3S6
 Phone : 604-638-0760 Fax: 604-638-0795
 www.awcwater.com

| | | | |
|----------|----------|--------------------------------|-----------|
| DRAWN | JCT | GNWT | (S010338) |
| DESIGN | JCT | Gameti | |
| CHECKED | JCT | PLC MODULE 3 | |
| APPROVED | JY | ELECTRICAL AND CONTROL DIAGRAM | |
| DATE | 03-19-18 | 11 OF 41 | |
| SCALE | N.T.S. | DRAWING NO. | 10338-21 |
| | | REV | 4 |

ELECTRICAL DIAGRAM



REGISTERED PROFESSIONAL ENGINEER
 G.K. WONG
 LICENSEE
 NTNU 01-Nov-2019

| REV | DESCRIPTION | BY | CHK'D | APP'D | DATE |
|------------------------------|-------------------------------------|-----|-------|-------|----------|
| 4 | AS BUILT | CH | GW | EJB | 10-31-19 |
| 3 | ANALOG MODULE ADDED AND I/O CHANGES | AKS | AKS | - | 2-12-18 |
| 2 | ISSUED FOR CONSTRUCTION | JCT | SK | - | 09-11-18 |
| 1 | 100% SUBMITTAL | JCT | SK | - | 07-17-18 |
| 0 | PRELIMINARY | JCT | SK | - | 03-23-18 |
| PID REVISION USED FOR DESIGN | | REV | | | |

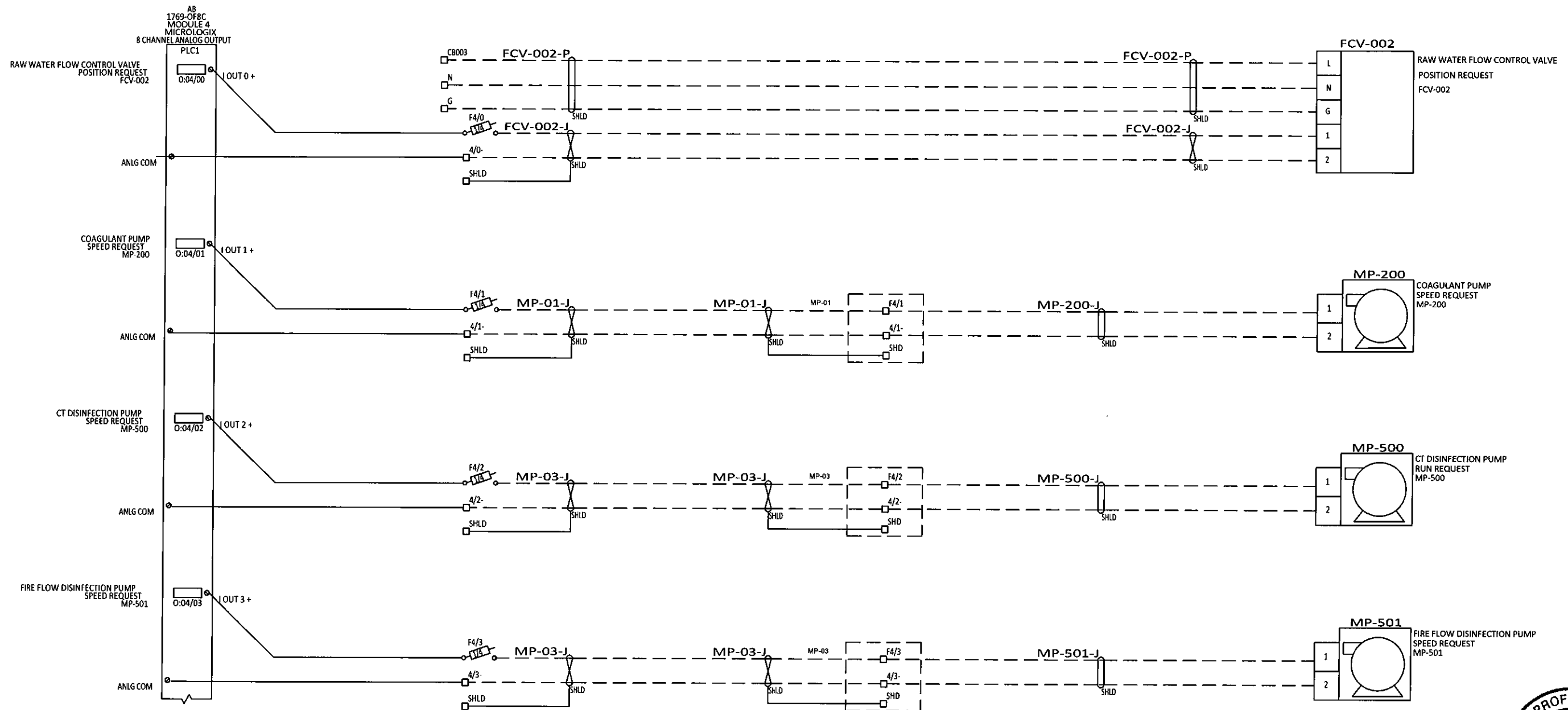
NOTE

THIS DRAWING IS THE PROPERTY OF AWC WATER SOLUTIONS, AND CONTAINS PROPRIETARY AND CONFIDENTIAL INFORMATION WHICH MUST NOT BE DUPLICATED, USED OR DISCLOSED OTHER THAN EXPRESSLY AUTHORIZED BY AWC WATER SOLUTIONS.

AWC WATER SOLUTIONS LTD.
 #104-19074 22nd Avenue Surrey, BC Canada V3Z 3S6
 Phone : 604-638-0760 Fax: 604-638-0795
 www.awcwater.com

| | | |
|----------|-------------|--------------------------------|
| DRAWN | JCT | GNWT |
| DESIGN | JCT | (S010338) |
| CHECKED | JCT | Gameti |
| APPROVED | JY | PLC MODULE 3 |
| DATE | 03-19-18 | ELECTRICAL AND CONTROL DIAGRAM |
| SCALE | N.T.S. | 12 OF 41 |
| | DRAWING NO. | 10338-21 |
| | REV | 4 |

ELECTRICAL DIAGRAM



| REV | DESCRIPTION | BY | CHK'D | APP'D | DATE |
|------------------------------|-------------------------------------|-----|-------|-------|----------|
| 4 | AS BUILT | CH | GW | EJB | 10-31-19 |
| 3 | ANALOG MODULE ADDED AND I/O CHANGES | AKS | AKS | - | 2-12-18 |
| 2 | ISSUED FOR CONSTRUCTION | JCT | SK | - | 09-11-18 |
| 1 | 100% SUBMITTAL | JCT | SK | - | 07-17-18 |
| 0 | PRELIMINARY | JCT | SK | - | 03-23-18 |
| REV | DESCRIPTION | BY | CHK'D | APP'D | DATE |
| PID REVISION USED FOR DESIGN | | REV | | | |

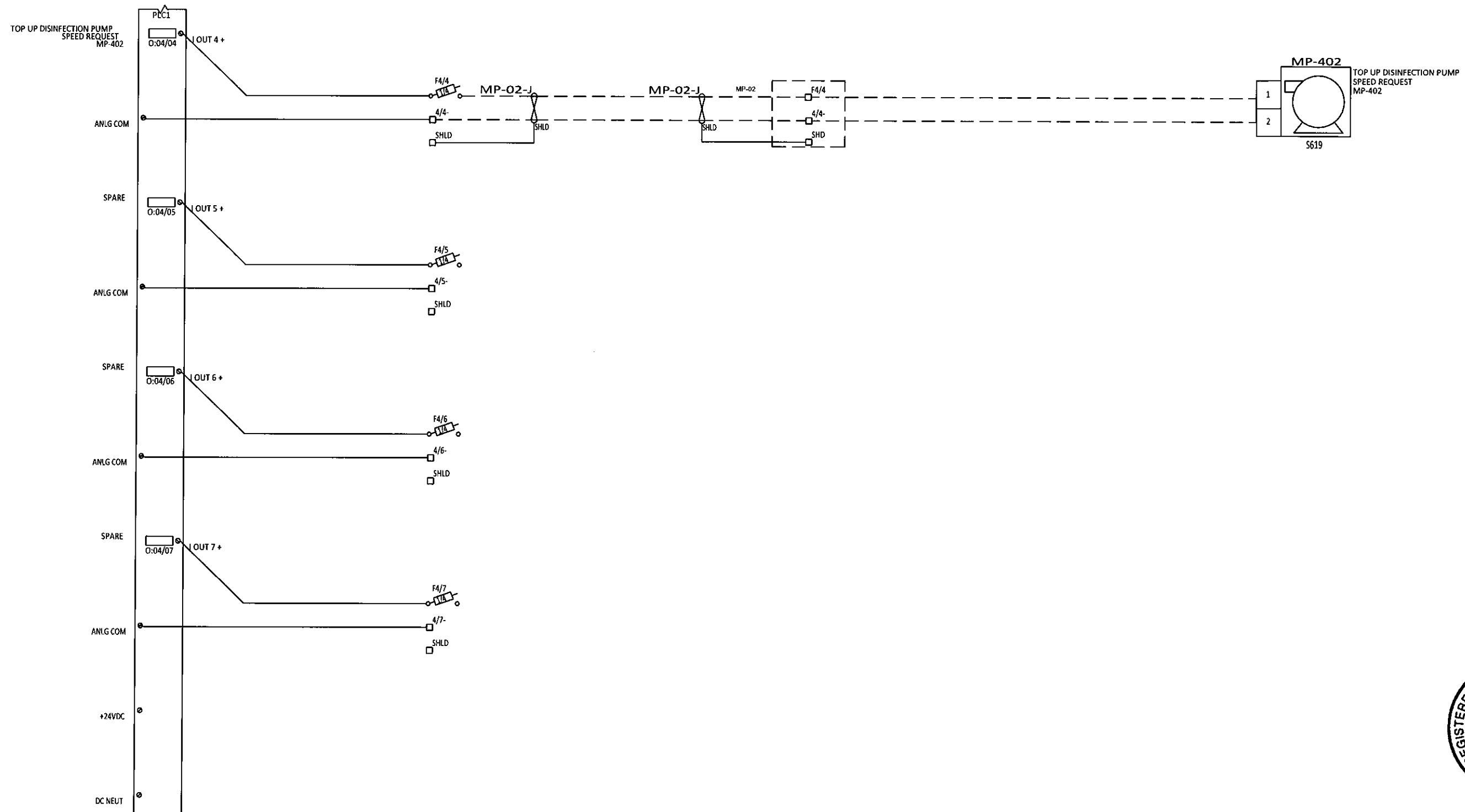
NOTE

THIS DRAWING IS THE PROPERTY OF AWC WATER SOLUTIONS, AND CONTAINS PROPRIETARY AND CONFIDENTIAL INFORMATION WHICH MUST NOT BE DUPLICATED, USED OR DISCLOSED OTHER THAN EXPRESSLY AUTHORIZED BY AWC WATER SOLUTIONS.


AWC WATER SOLUTIONS LTD.
 #104-19074 22nd Avenue Surrey, BC Canada V3Z 3S6
 Phone : 604-638-0760 Fax: 604-638-0795
 www.awcwater.com

| | | | |
|----------|----------|--------------------------------|--------------|
| DRAWN | JCT | GNWT | (S010338) |
| DESIGN | JCT | Gameti | PLC MODULE 4 |
| CHECKED | JCT | ELECTRICAL AND CONTROL DIAGRAM | |
| APPROVED | JY | 13 OF 41 | |
| DATE | 03-19-18 | DRAWING NO. | 10338-21 |
| SCALE | N.T.S. | REV | 4 |


ELECTRICAL DIAGRAM



| REV | DESCRIPTION | BY | CHK'D | APP'D | DATE |
|-----|-------------------------------------|-----|-------|-------|----------|
| 4 | AS BUILT | CH | GW | EJB | 10-31-19 |
| 3 | ANALOG MODULE ADDED AND I/O CHANGES | AKS | AKS | - | 2-12-18 |
| 2 | ISSUED FOR CONSTRUCTION | JCT | SK | - | 09-11-18 |
| 1 | 100% SUBMITTAL | JCT | SK | - | 07-17-18 |
| 0 | PRELIMINARY | JCT | SK | - | 03-23-18 |
| 4 | PID REVISION USED FOR DESIGN | | | | |

NOTE

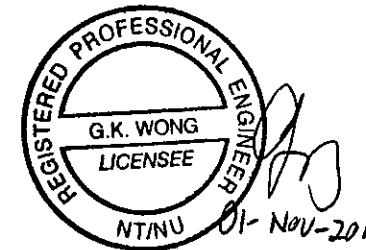
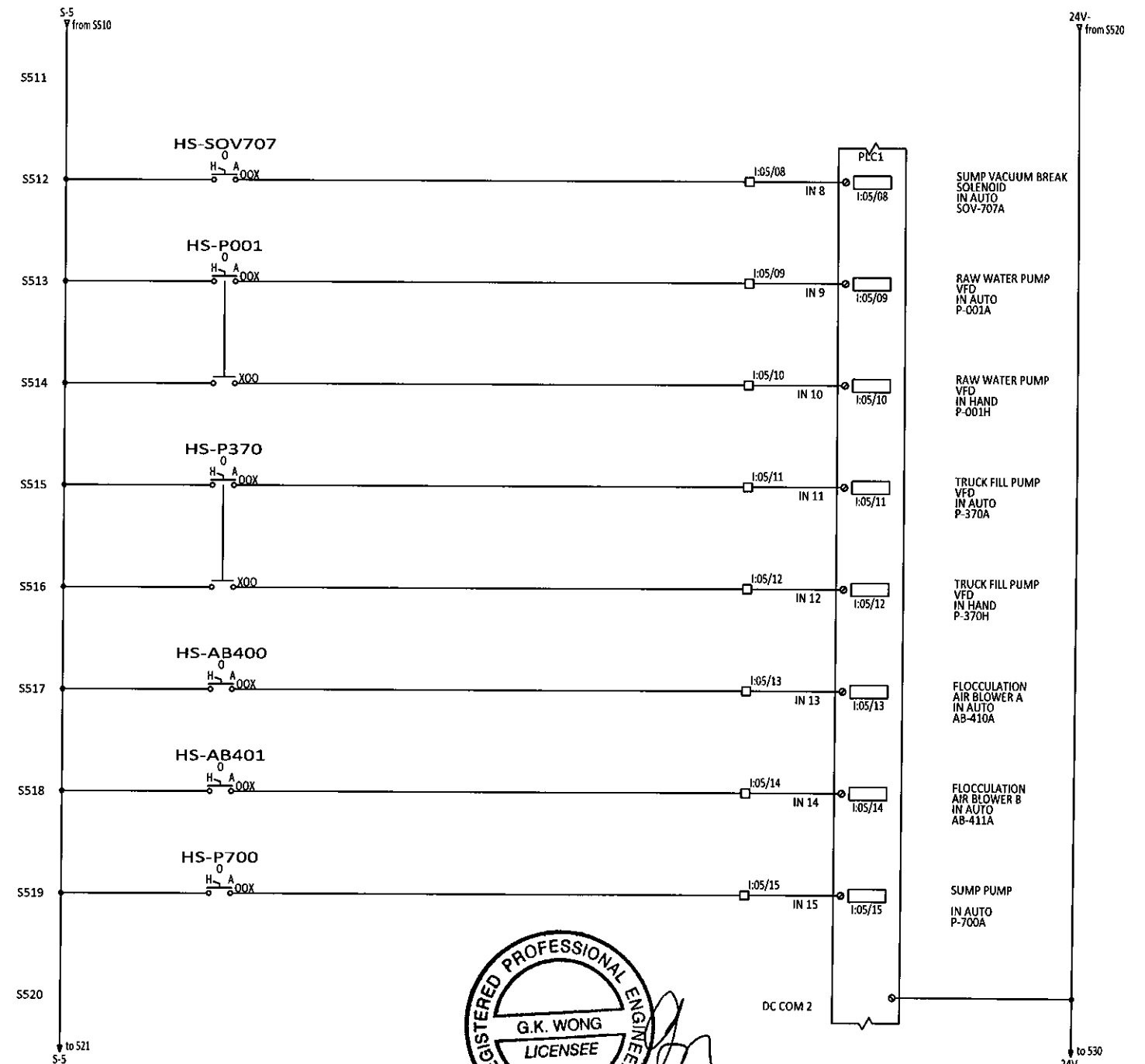
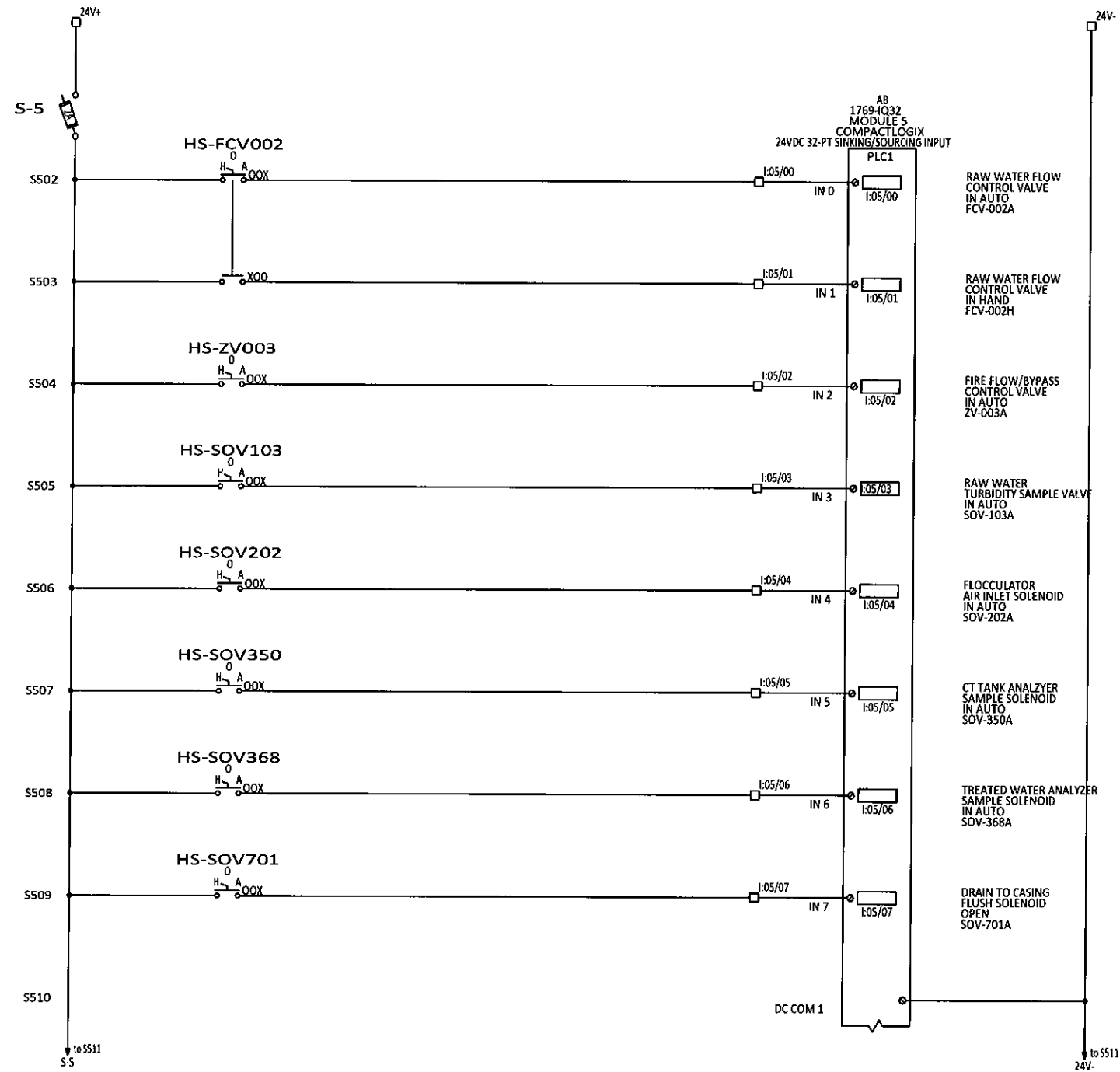
THIS DRAWING IS THE PROPERTY OF AWC WATER SOLUTIONS, AND CONTAINS PROPRIETARY AND CONFIDENTIAL INFORMATION WHICH MUST NOT BE DUPLICATED, USED OR DISCLOSED OTHER THAN EXPRESSLY AUTHORIZED BY AWC WATER SOLUTIONS.


AWC WATER SOLUTIONS LTD.
 #104-19074 22nd Avenue Surrey, BC Canada V3Z 3S6
 Phone: 604-638-0760 Fax: 604-638-0795
 www.awcwater.com

| | |
|----------|----------|
| DRAWN | JCT |
| DESIGN | JCT |
| CHECKED | JCT |
| APPROVED | JY |
| DATE | 03-19-18 |
| SCALE | N.T.S. |

| |
|---|
| GNWT (S010338) Gameti PLC MODULE 4 ELECTRICAL AND CONTROL DIAGRAM 14 OF 41 |
| DRAWING NO. 10338-21 |
| REV 4 |

ELECTRICAL DIAGRAM



| REV | DESCRIPTION | BY | CHK'D | APP'D | DATE |
|-----|-------------------------------------|-----|-------|-------|----------|
| 4 | AS BUILT | CH | GW | EJB | 10-31-19 |
| 3 | ANALOG MODULE ADDED AND I/O CHANGES | AKS | AKS | - | 2-12-18 |
| 2 | ISSUED FOR CONSTRUCTION | JCT | SK | - | 09-11-18 |
| 1 | 100% SUBMITTAL | JCT | SK | - | 07-17-18 |
| 0 | PRELIMINARY | JCT | SK | - | 03-23-18 |
| REV | DESCRIPTION | BY | CHK'D | APP'D | DATE |
| | PID REVISION USED FOR DESIGN | REV | | | |

NOTE

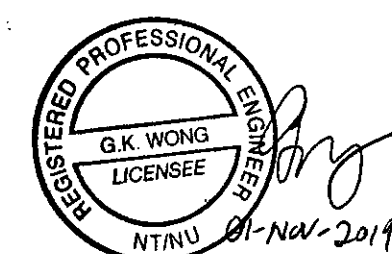
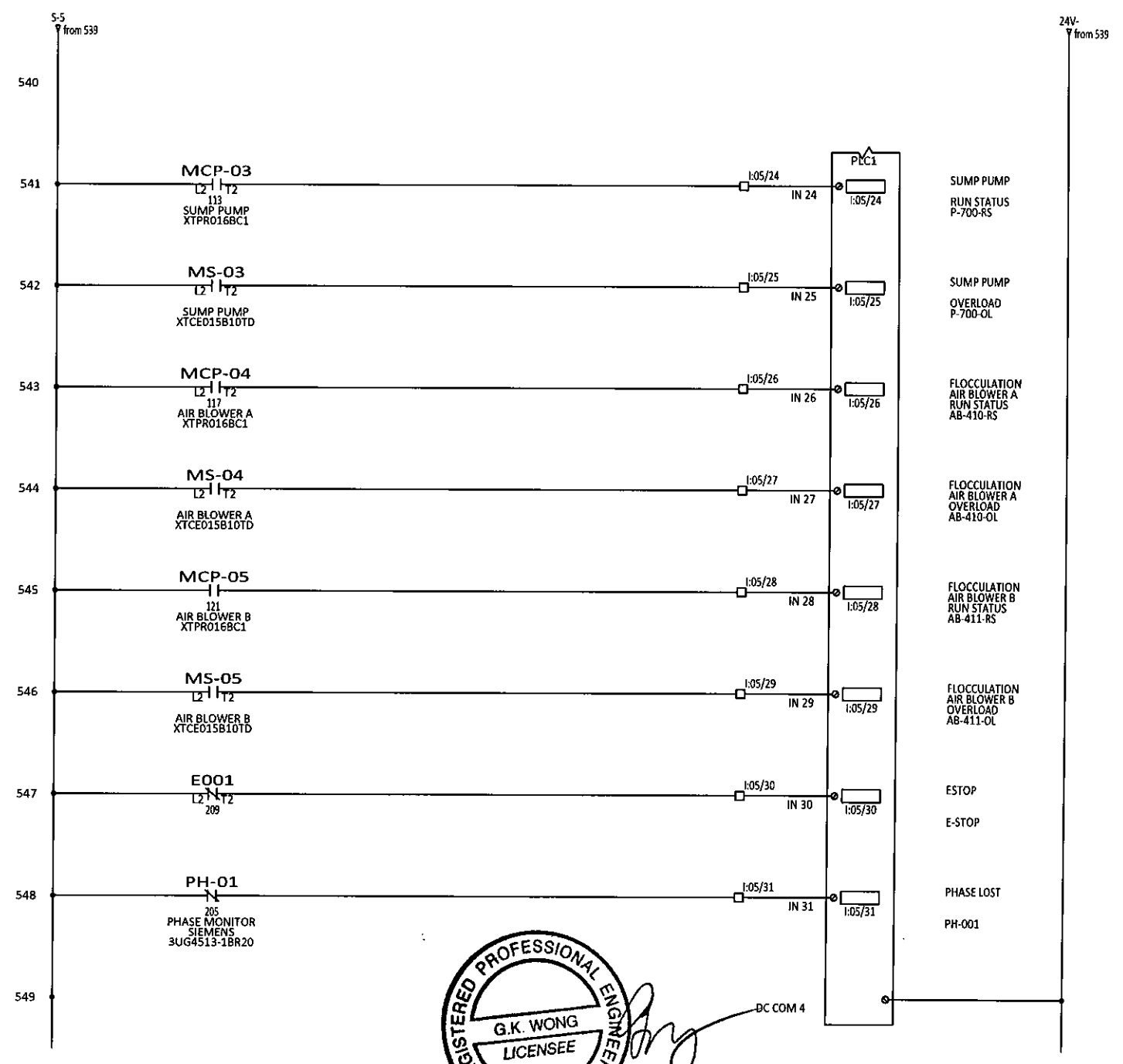
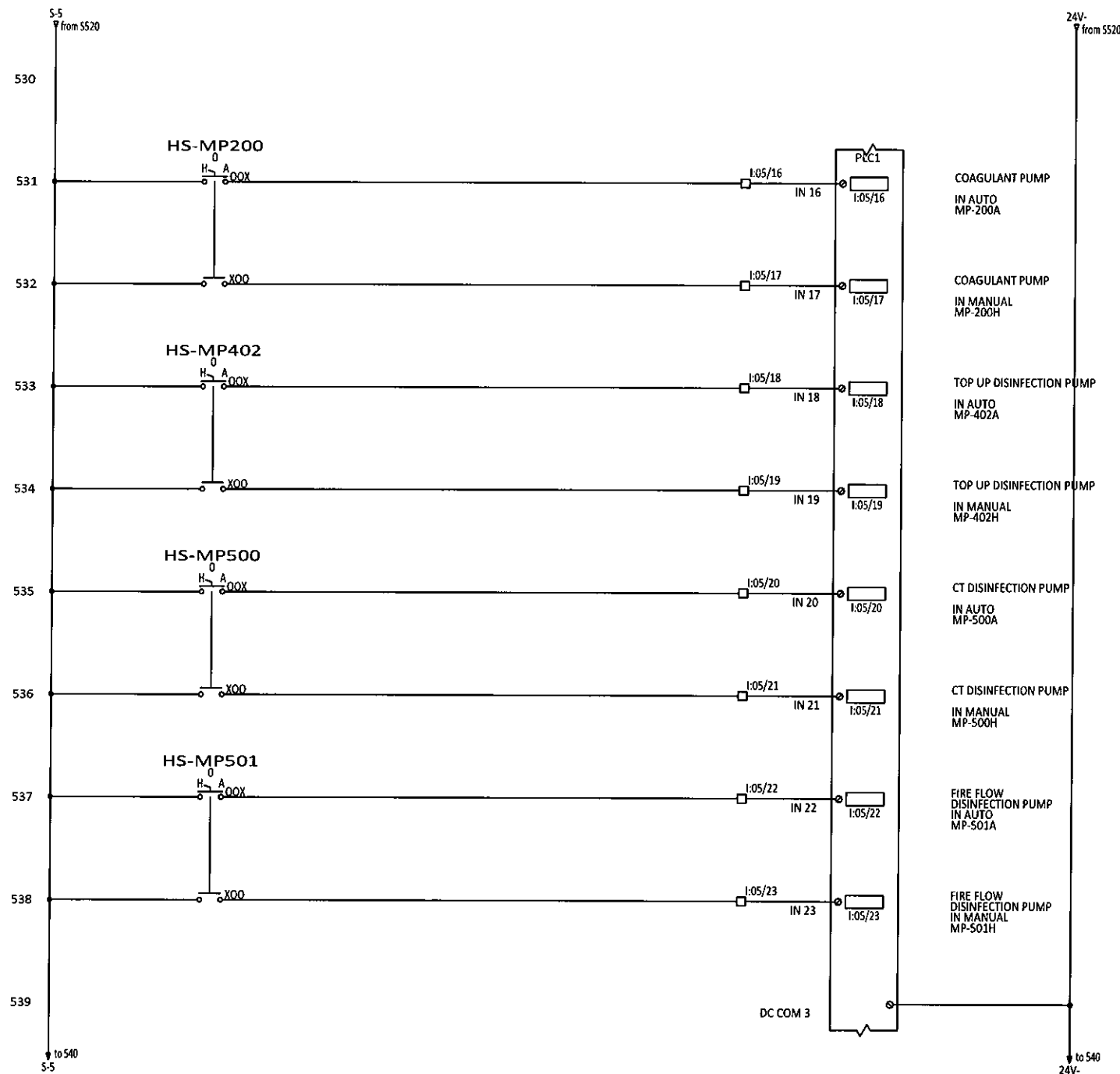
THIS DRAWING IS THE PROPERTY OF AWC WATER SOLUTIONS, AND CONTAINS PROPRIETARY AND CONFIDENTIAL INFORMATION WHICH MUST NOT BE DUPLICATED, USED OR DISCLOSED OTHER THAN EXPRESSLY AUTHORIZED BY AWC WATER SOLUTIONS.

AWC WATER SOLUTIONS LTD.
 #104-19074 22nd Avenue Surrey, BC Canada V3Z 3S6
 Phone : 604-638-0760 Fax: 604-638-0795
 www.awcwater.com

| | |
|----------|----------|
| DRAWN | JCT |
| DESIGN | JCT |
| CHECKED | JCT |
| APPROVED | JY |
| DATE | 03-19-18 |
| SCALE | N.T.S. |

| |
|--|
| GNWT (S010338) Gameti PLC MODULE 5 ELECTRICAL AND CONTROL DIAGRAM 15 OF 41 |
| DRAWING NO. 10338-21 |
| REV 4 |

ELECTRICAL DIAGRAM



| REV | DESCRIPTION | BY | CHK'D | APP'D | DATE |
|------------------------------|-------------------------------------|-----|-------|-------|----------|
| 4 | AS BUILT | CH | GW | EJB | 10-31-19 |
| 3 | ANALOG MODULE ADDED AND I/O CHANGES | AKS | AKS | - | 2-12-18 |
| 2 | ISSUED FOR CONSTRUCTION | JCT | SK | - | 09-11-18 |
| 1 | 100% SUBMITTAL | JCT | SK | - | 07-17-18 |
| 0 | PRELIMINARY | JCT | SK | - | 03-23-18 |
| PID REVISION USED FOR DESIGN | | | | | |

NOTE

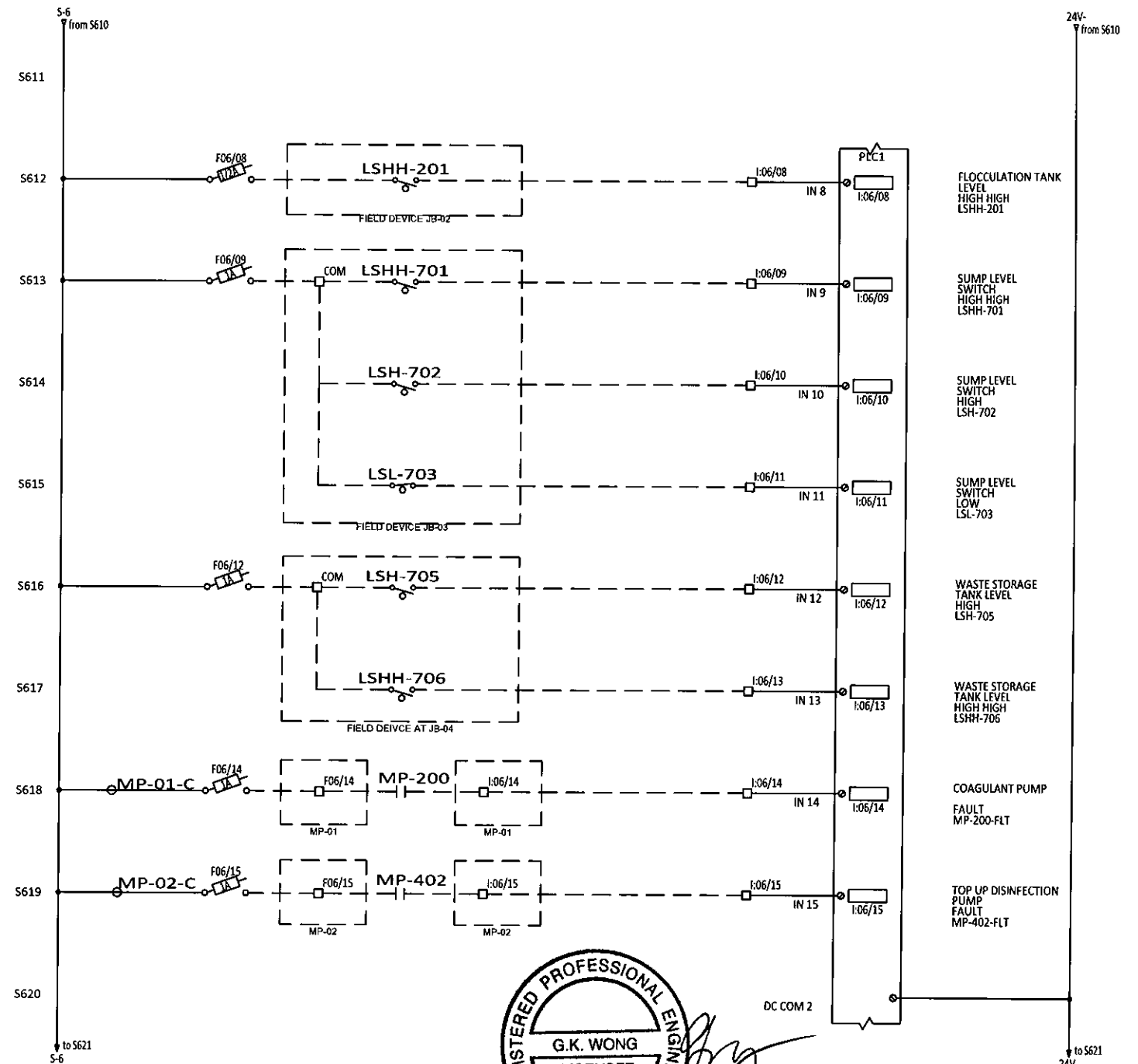
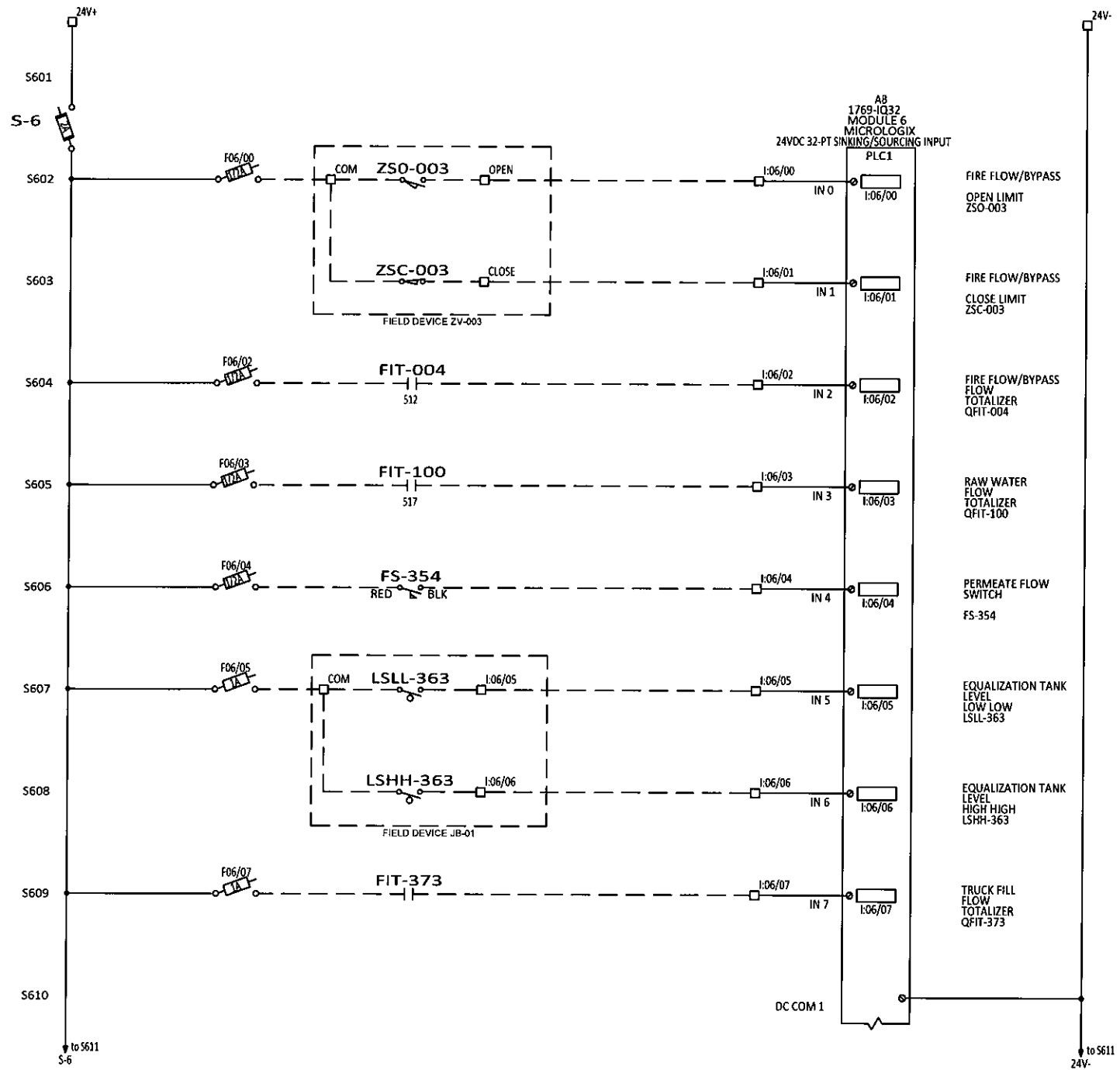
THIS DRAWING IS THE PROPERTY OF AWC WATER SOLUTIONS, AND CONTAINS PROPRIETARY AND CONFIDENTIAL INFORMATION WHICH MUST NOT BE DUPLICATED, USED OR DISCLOSED OTHER THAN EXPRESSLY AUTHORIZED BY AWC WATER SOLUTIONS.

AWC WATER SOLUTIONS LTD.

#104-19074 22nd Avenue Surrey, BC Canada V3Z 3S6
Phone : 604-638-0760 Fax: 604-638-0795
www.awcwater.com

| | | |
|----------|----------|---|
| DRAWN | JCT | GNWT (SO10338) Gameti PLC MODULE 5 ELECTRICAL AND CONTROL DIAGRAM 16 OF 41 |
| DESIGN | JCT | |
| CHECKED | JCT | |
| APPROVED | JY | |
| DATE | 03-19-18 | |
| SCALE | N.T.S. | DRAWING NO. 10338-21 |
| | | REV 4 |

ELECTRICAL DIAGRAM



REGISTERED PROFESSIONAL ENGINEER
 G.K. WONG
 LICENSEE
 NT/NU 01-Nov-2019

| REV | DESCRIPTION | BY | CHK'D | APP'D | DATE |
|------------------------------|-------------------------------------|-----|-------|-------|----------|
| 4 | AS BUILT | CH | GW | EJB | 10-31-19 |
| 3 | ANALOG MODULE ADDED AND I/O CHANGES | AKS | AKS | - | 2-12-18 |
| 2 | ISSUED FOR CONSTRUCTION | JCT | SK | - | 09-11-18 |
| 1 | 100% SUBMITTAL | JCT | SK | - | 07-17-18 |
| 0 | PRELIMINARY | JCT | SK | - | 03-23-18 |
| PID REVISION USED FOR DESIGN | | REV | | | |

NOTE

THIS DRAWING IS THE PROPERTY OF AWC WATER SOLUTIONS, AND CONTAINS PROPRIETARY AND CONFIDENTIAL INFORMATION WHICH MUST NOT BE DUPLICATED, USED OR DISCLOSED OTHER THAN EXPRESSLY AUTHORIZED BY AWC WATER SOLUTIONS.

AWC WATER SOLUTIONS LTD.

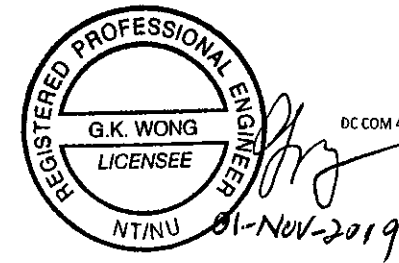
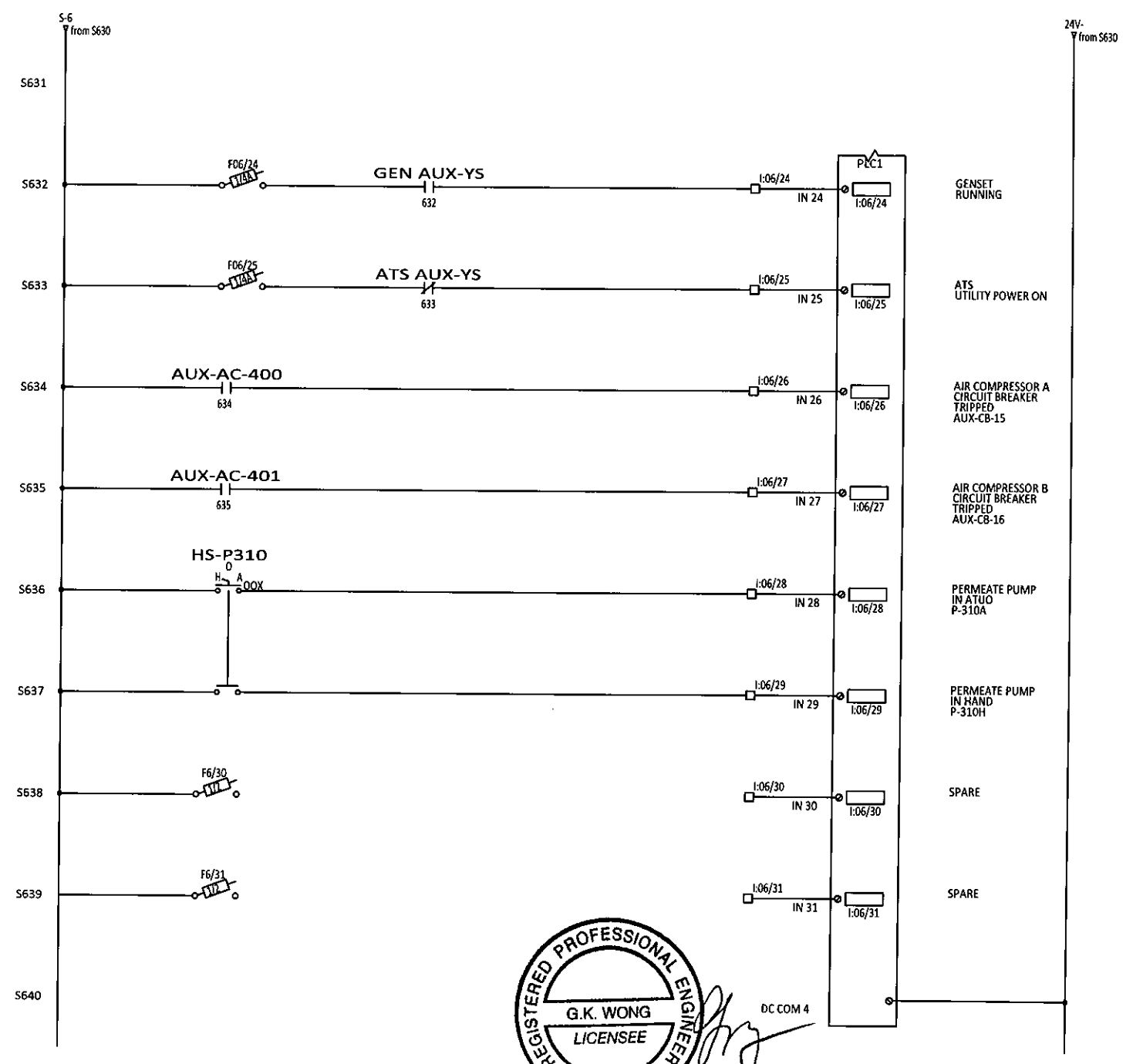
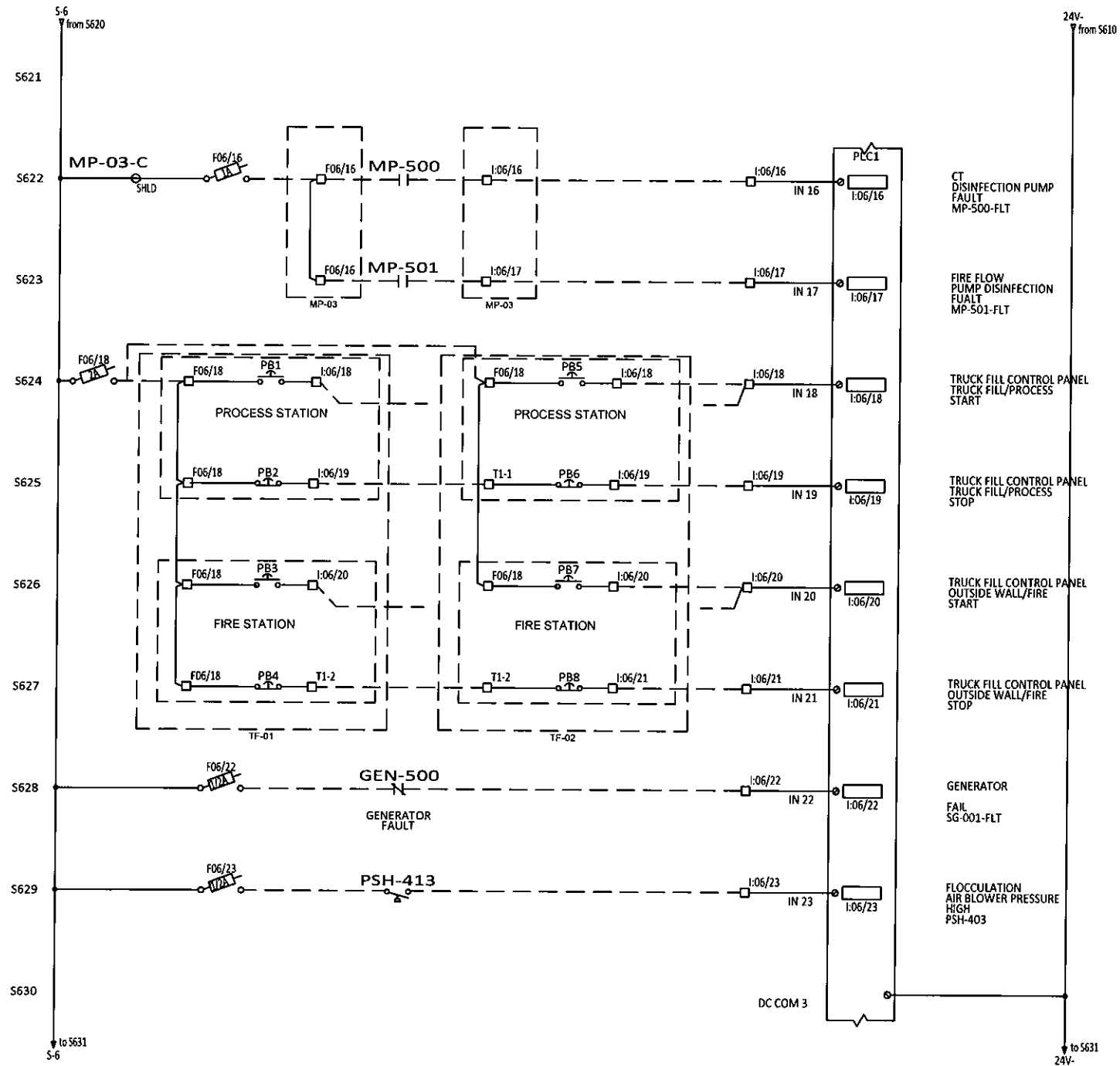
 #104-19074 22nd Avenue Surrey, BC Canada V3Z 3S6

 Phone : 604-638-0760 Fax: 604-638-0795

 www.awcwater.com

| | | |
|----------|----------|---|
| DRAWN | JCT | GNWT (S010338) Gameti PLC MODULE 6 ELECTRICAL AND CONTROL DIAGRAM 17 OF 41 |
| DESIGN | JCT | |
| CHECKED | JCT | |
| APPROVED | JY | |
| DATE | 03-19-18 | |
| SCALE | N.T.S. | DRAWING NO. 10338-21 |
| | | REV 4 |

ELECTRICAL DIAGRAM



| REV | DESCRIPTION | BY | CHK'D | APP'D | DATE |
|------------------------------|-------------------------------------|-----|-------|-------|----------|
| 4 | AS BUILT | CH | GW | EJB | 1-11-19 |
| 3 | ANALOG MODULE ADDED AND I/O CHANGES | AKS | AKS | - | 2-12-18 |
| 2 | ISSUED FOR CONSTRUCTION | JCT | SK | - | 09-11-18 |
| 1 | 100% SUBMITTAL | JCT | SK | - | 07-17-18 |
| 0 | PRELIMINARY | JCT | SK | - | 03-23-18 |
| PID REVISION USED FOR DESIGN | | | | | |

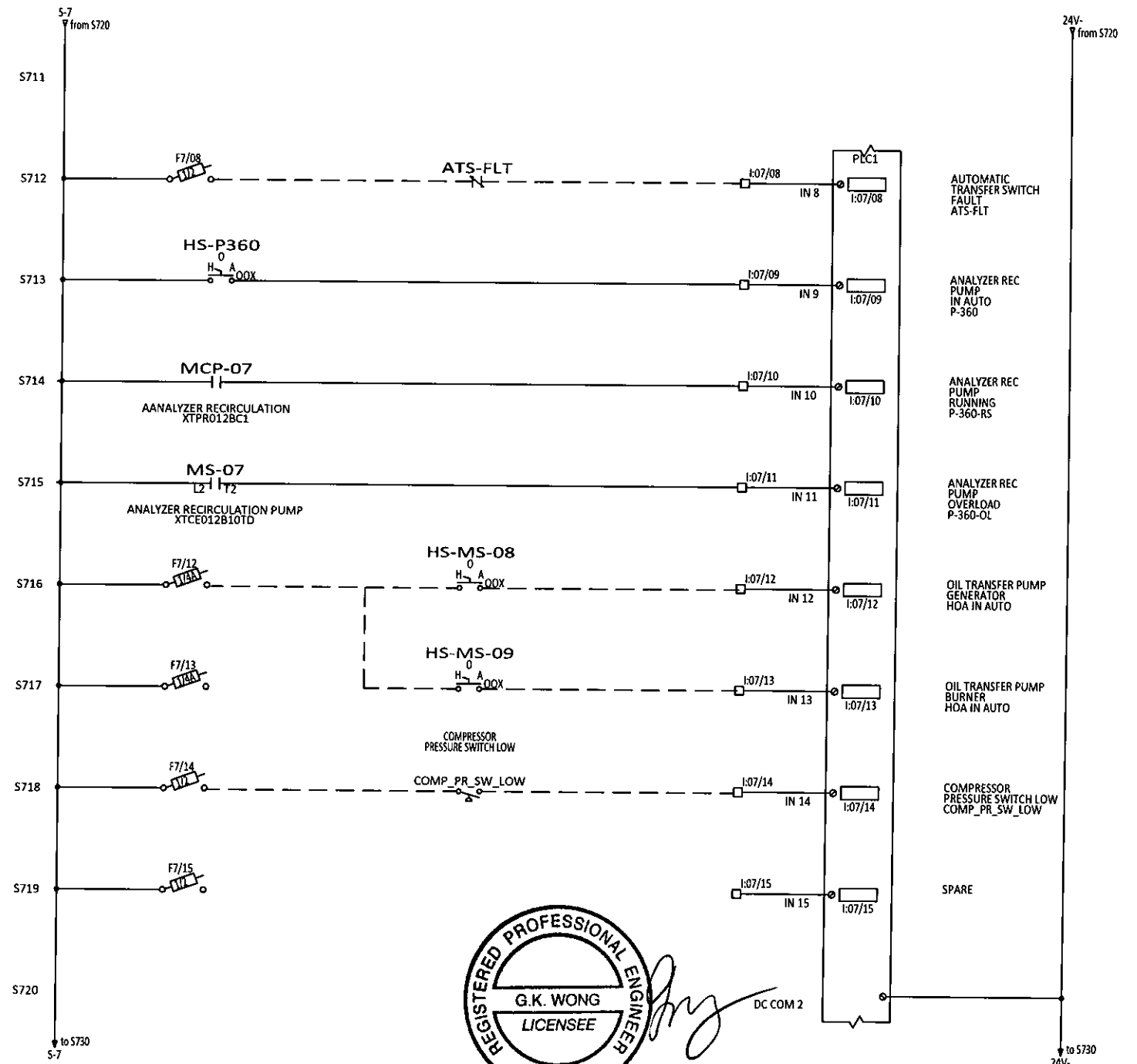
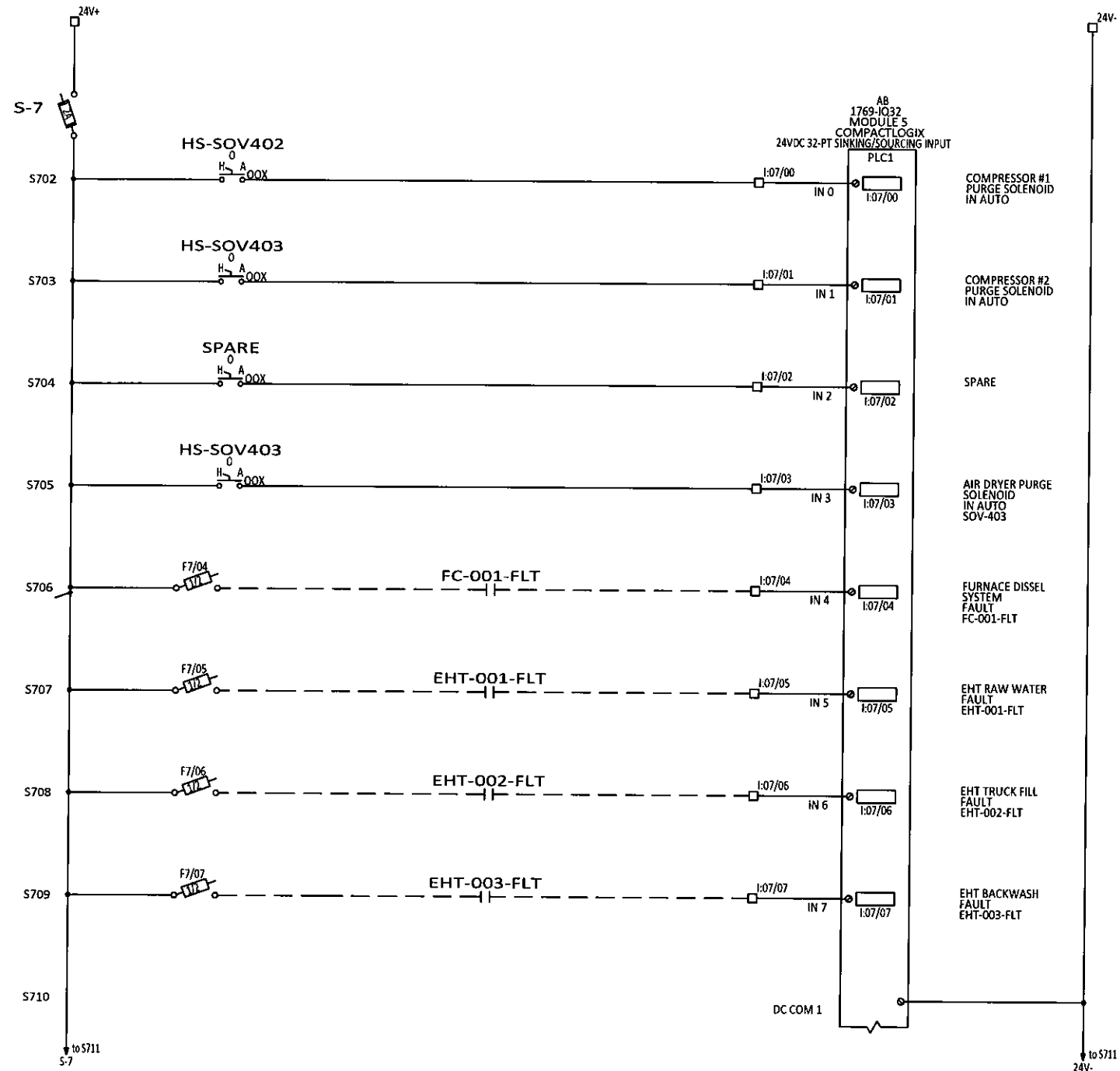
NOTE

THIS DRAWING IS THE PROPERTY OF AWC WATER SOLUTIONS, AND CONTAINS PROPRIETARY AND CONFIDENTIAL INFORMATION WHICH MUST NOT BE DUPLICATED, USED OR DISCLOSED OTHER THAN EXPRESSLY AUTHORIZED BY AWC WATER SOLUTIONS.

AWC WATER SOLUTIONS LTD.
 #104-19074 22nd Avenue Surrey, BC Canada V3Z 3S6
 Phone: 604-638-0760 Fax: 604-638-0795
 www.awcwater.com

| | | |
|-------------|----------|---|
| DRAWN | JCT | GNWT (S010338) Gameti PLC MODULE 6 ELECTRICAL AND CONTROL DIAGRAM 18 OF 41 |
| DESIGN | JCT | |
| CHECKED | JCT | |
| APPROVED | JY | |
| DATE | 03-19-18 | |
| SCALE | N.T.S. | |
| DRAWING NO. | 10338-21 | REV 4 |

ELECTRICAL DIAGRAM



REGISTERED PROFESSIONAL ENGINEER
 G.K. WONG
 LICENSEE
 NT/NU 01-NOV-2019

| REV | DESCRIPTION | BY | CHK'D | APP'D | DATE |
|------------------------------|-------------------------------------|-----|-------|-------|----------|
| 4 | AS BUILT | CH | GW | EJB | 10-31-19 |
| 3 | ANALOG MODULE ADDED AND I/O CHANGES | AKS | AKS | - | 2-12-18 |
| 2 | ISSUED FOR CONSTRUCTION | JCT | SK | - | 09-11-18 |
| 1 | 100% SUBMITTAL | JCT | SK | - | 07-17-18 |
| 0 | PRELIMINARY | JCT | SK | - | 03-23-18 |
| REV | DESCRIPTION | BY | CHK'D | APP'D | DATE |
| PID REVISION USED FOR DESIGN | | REV | | | |

NOTE

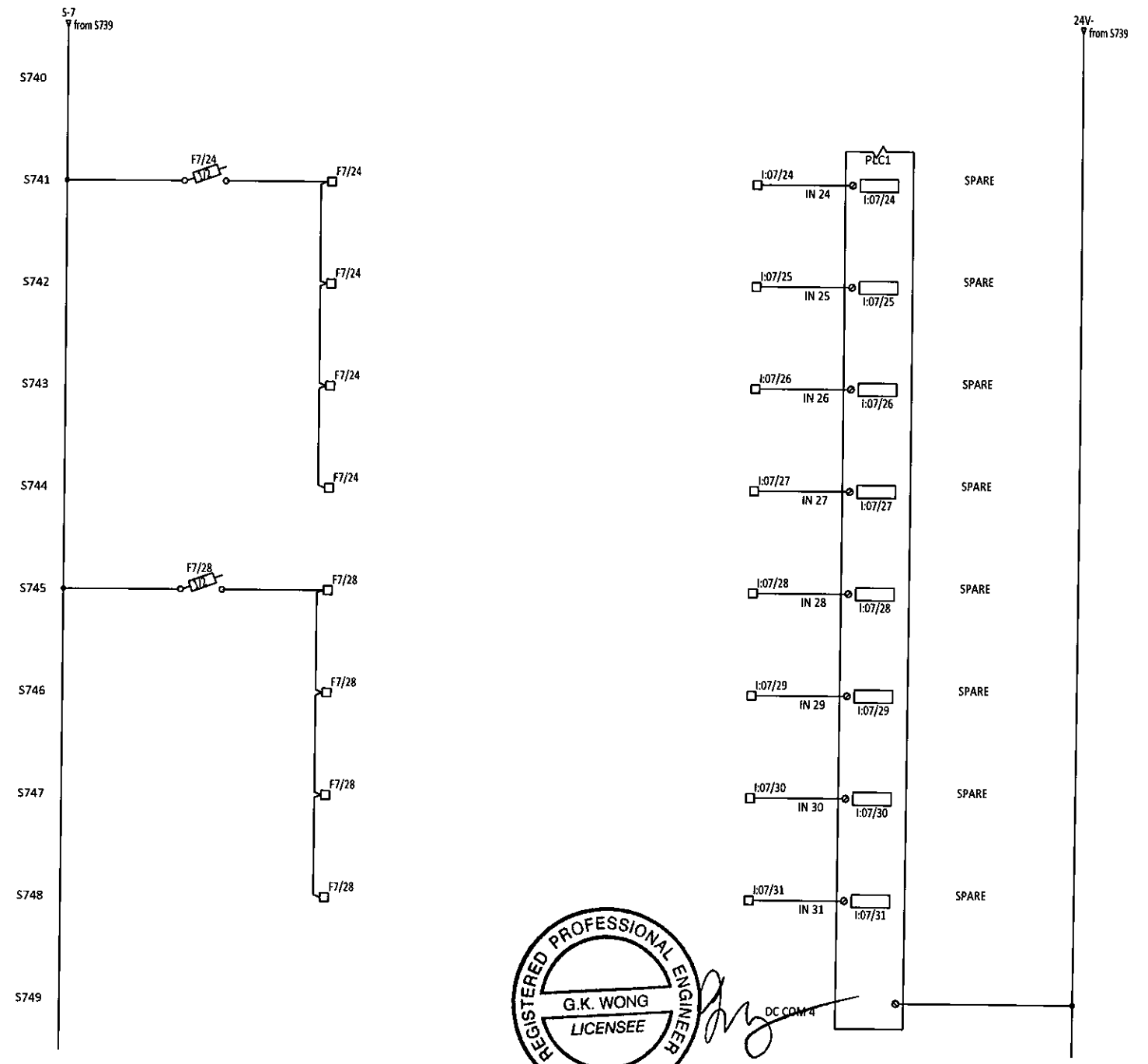
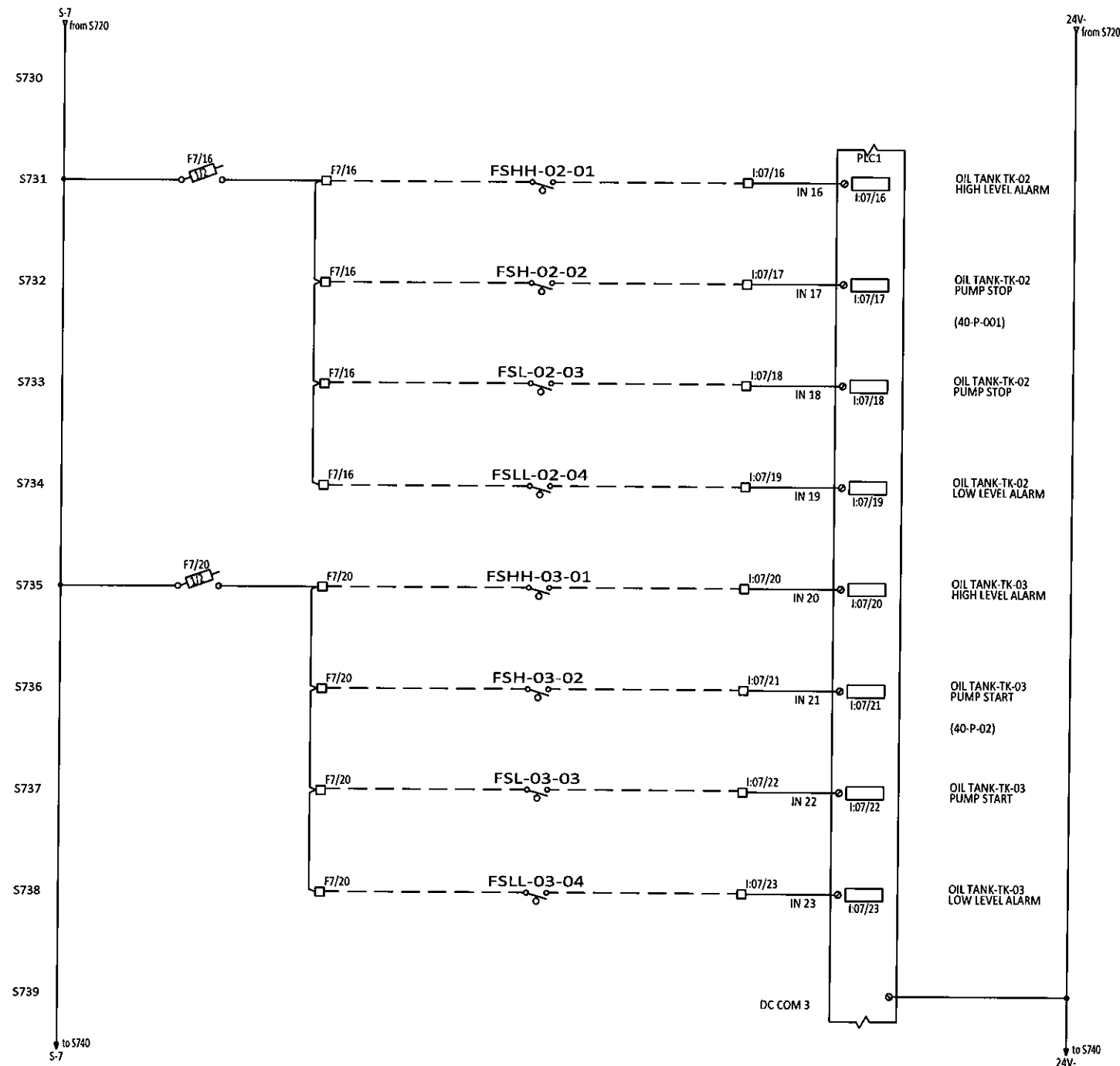
THIS DRAWING IS THE PROPERTY OF AWC WATER SOLUTIONS, AND CONTAINS PROPRIETARY AND CONFIDENTIAL INFORMATION WHICH MUST NOT BE DUPLICATED, USED OR DISCLOSED OTHER THAN EXPRESSLY AUTHORIZED BY AWC WATER SOLUTIONS.

AWC WATER SOLUTIONS LTD.
 #104-19074 22nd Avenue Surrey, BC Canada V3Z 3S6
 Phone : 604-638-0760 Fax: 604-638-0795
 www.awcwater.com

| | |
|----------|----------|
| DRAWN | JCT |
| DESIGN | JCT |
| CHECKED | JCT |
| APPROVED | JY |
| DATE | 03-19-18 |
| SCALE | N.T.S. |

GNWT
 (SO10338)
 Gameti
 PLC MODULE 7
 ELECTRICAL AND CONTROL DIAGRAM
 19 OF 41


ELECTRICAL DIAGRAM



| REV | DESCRIPTION | BY | CHK'D | APP'D | DATE |
|------------------------------|-------------------------------------|-----|-------|-------|----------|
| 4 | AS BUILT | CH | GW | EJB | 10-31-19 |
| 3 | ANALOG MODULE ADDED AND I/O CHANGES | AKS | AKS | - | 2-12-18 |
| 2 | ISSUED FOR CONSTRUCTION | JCT | SK | - | 09-11-18 |
| 1 | 100% SUBMITTAL | JCT | SK | - | 07-17-18 |
| 0 | PRELIMINARY | JCT | SK | - | 03-23-18 |
| PID REVISION USED FOR DESIGN | | | | | |

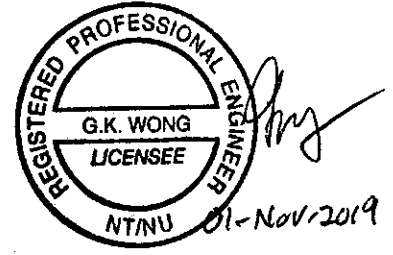
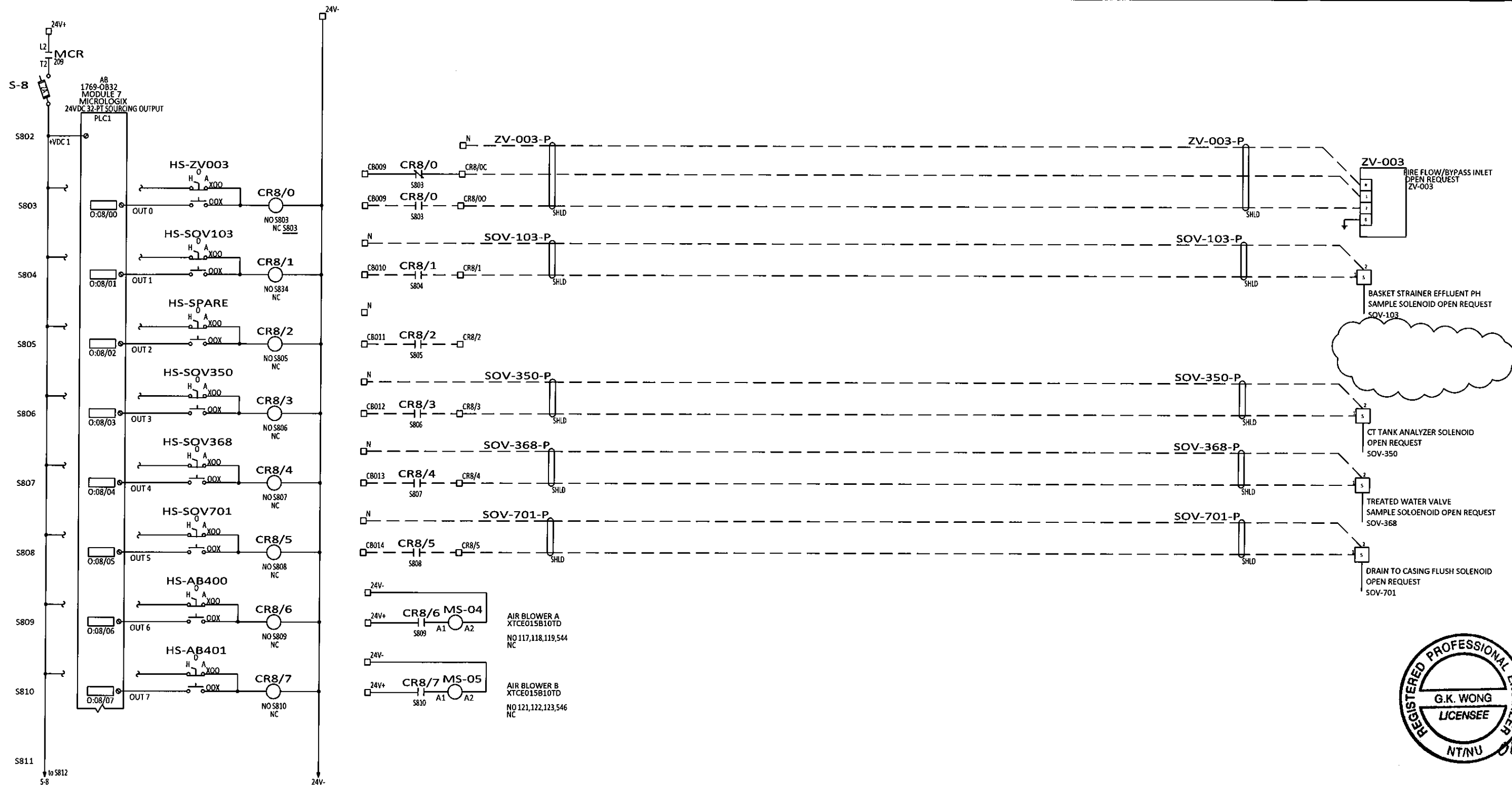
NOTE

THIS DRAWING IS THE PROPERTY OF AWC WATER SOLUTIONS, AND CONTAINS PROPRIETARY AND CONFIDENTIAL INFORMATION WHICH MUST NOT BE DUPLICATED, USED OR DISCLOSED OTHER THAN EXPRESSLY AUTHORIZED BY AWC WATER SOLUTIONS.


AWC WATER SOLUTIONS LTD.
 #104-19074 22nd Avenue Surrey, BC Canada V3Z 3S6
 Phone : 604-638-0760 Fax: 604-638-0795
 www.awcwater.com

| | | |
|----------|----------|---|
| DRAWN | JCT | GNWT (S010338) Gameti PLC MODULE 7 ELECTRICAL AND CONTROL DIAGRAM 20 OF 41 |
| DESIGN | JCT | |
| CHECKED | JCT | |
| APPROVED | JY | |
| DATE | 03-19-18 | |
| SCALE | N.T.S. | DRAWING NO. 10338-21 |
| | | REV 4 |

ELECTRICAL DIAGRAM



| REV | DESCRIPTION | BY | CHK'D | APP'D | DATE |
|------------------------------|-------------------------------------|-----|-------|-------|----------|
| 4 | AS BUILT | CH | GW | EJB | 10-31-19 |
| 3 | ANALOG MODULE ADDED AND I/O CHANGES | AKS | AKS | - | 2-12-18 |
| 2 | ISSUED FOR CONSTRUCTION | JCT | SK | - | 09-11-18 |
| 1 | 100% SUBMITTAL | JCT | SK | - | 07-17-18 |
| 0 | PRELIMINARY | JCT | SK | - | 03-23-18 |
| PID REVISION USED FOR DESIGN | | | | | |

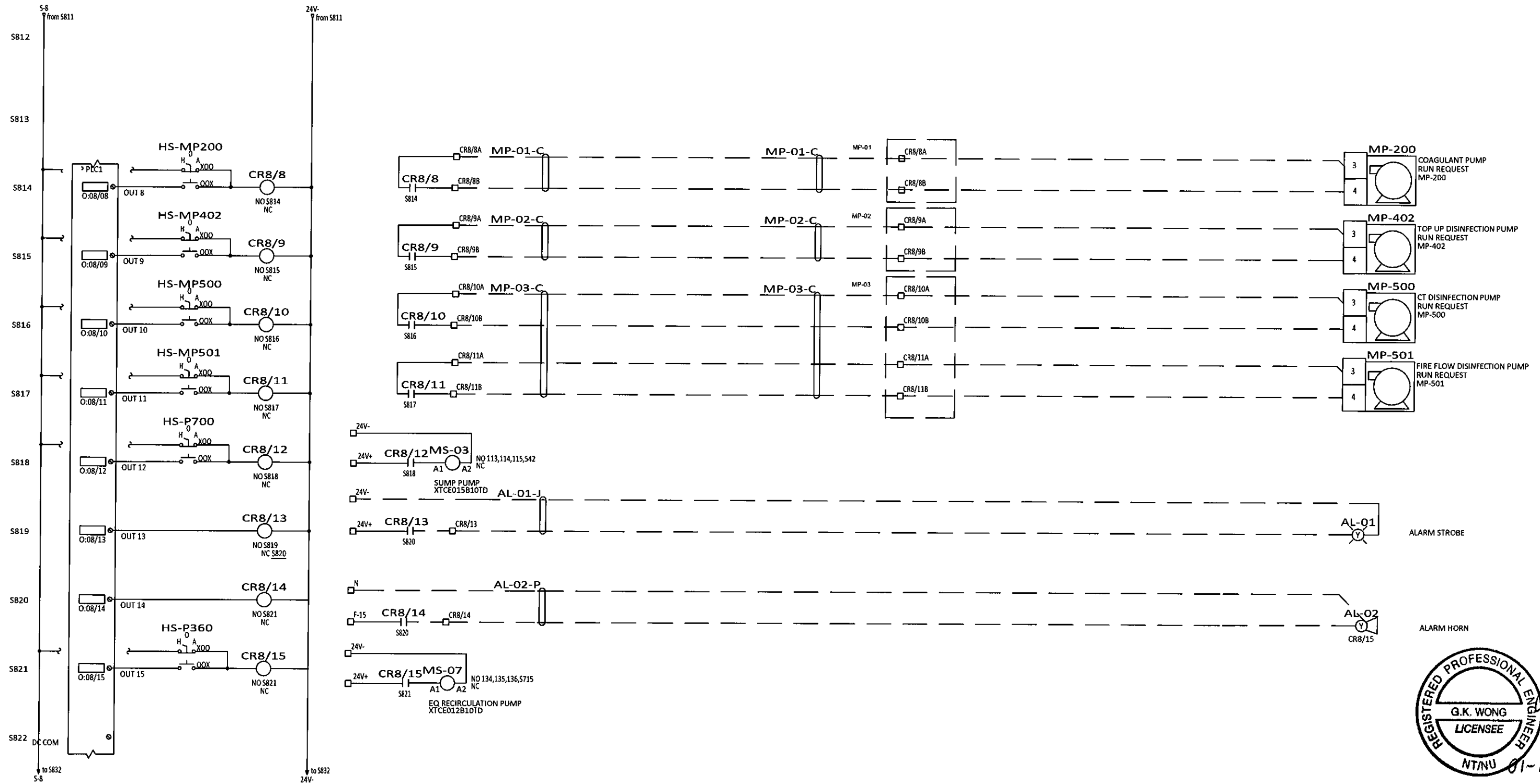
NOTE

THIS DRAWING IS THE PROPERTY OF AWC WATER SOLUTIONS, AND CONTAINS PROPRIETARY AND CONFIDENTIAL INFORMATION WHICH MUST NOT BE DUPLICATED, USED OR DISCLOSED OTHER THAN EXPRESSLY AUTHORIZED BY AWC WATER SOLUTIONS.

AWC WATER SOLUTIONS LTD.
 #104-19074 22nd Avenue Surrey, BC Canada V3Z 3S6
 Phone : 604-638-0760 Fax: 604-638-0795
 www.awcwater.com

| | | |
|-------------|----------|--------------------------------|
| DRAWN | JCT | GNWT |
| DESIGN | JCT | (SO10338) |
| CHECKED | JCT | Gameti |
| APPROVED | JY | PLC MODULE 8 |
| DATE | 03-19-18 | ELECTRICAL AND CONTROL DIAGRAM |
| SCALE | N.T.S. | 21 OF 41 |
| DRAWING NO. | 10338-21 | REV 4 |

ELECTRICAL DIAGRAM



REGISTERED PROFESSIONAL ENGINEER
 G.K. WONG
 LICENSEE
 NTNU 01-Nov-2019

| REV | DESCRIPTION | BY | CHK'D | APP'D | DATE |
|------------------------------|-------------------------------------|-----|-------|-------|----------|
| 4 | AS BUILT | CH | GW | EJB | 10-31-19 |
| 3 | ANALOG MODULE ADDED AND I/O CHANGES | AKS | AKS | - | 2-12-18 |
| 2 | ISSUED FOR CONSTRUCTION | JCT | SK | - | 09-11-18 |
| 1 | 100% SUBMITTAL | JCT | SK | - | 07-17-18 |
| 0 | PRELIMINARY | JCT | SK | - | 03-23-18 |
| REV | DESCRIPTION | BY | CHK'D | APP'D | DATE |
| PID REVISION USED FOR DESIGN | | REV | | | |

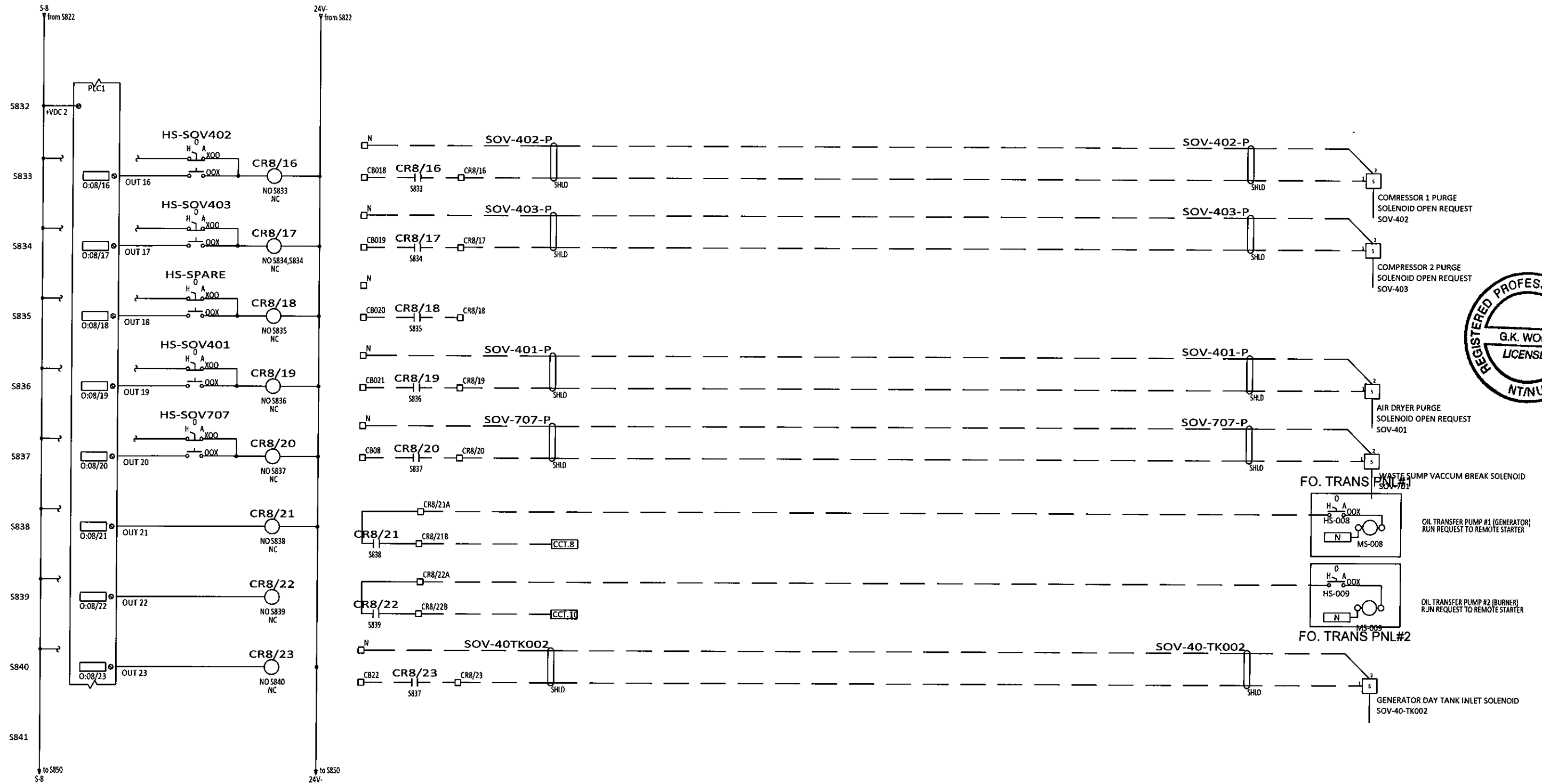
NOTE

THIS DRAWING IS THE PROPERTY OF AWC WATER SOLUTIONS, AND CONTAINS PROPRIETARY AND CONFIDENTIAL INFORMATION WHICH MUST NOT BE DUPLICATED, USED OR DISCLOSED OTHER THAN EXPRESSLY AUTHORIZED BY AWC WATER SOLUTIONS.

AWC WATER SOLUTIONS LTD.
 #104-19074 22nd Avenue Surrey, BC Canada V3Z 3S6
 Phone : 604-638-0760 Fax: 604-638-0795
 www.awcwater.com

| | | |
|-------------|----------|--------------------------------|
| DRAWN | JCT | GNWT |
| DESIGN | JCT | (SO10338) |
| CHECKED | JCT | Gameti |
| APPROVED | JY | PLC MODULE 8 |
| DATE | 03-19-18 | ELECTRICAL AND CONTROL DIAGRAM |
| SCALE | N.T.S. | 22 OF 41 |
| DRAWING NO. | 10338-21 | REV 4 |

ELECTRICAL DIAGRAM



REGISTERED PROFESSIONAL ENGINEER
G.K. WONG
LICENSEE
NTNU 01-Nov-2019

| REV | DESCRIPTION | BY | CHK'D | APP'D | DATE |
|------------------------------|-------------------------------------|-----|-------|-------|----------|
| 4 | AS BUILT | CH | GW | EJB | 10-31-19 |
| 3 | ANALOG MODULE ADDED AND I/O CHANGES | AKS | AKS | - | 2-12-18 |
| 2 | ISSUED FOR CONSTRUCTION | JCT | SK | - | 09-11-18 |
| 1 | 100% SUBMITTAL | JCT | SK | - | 07-17-18 |
| 0 | PRELIMINARY | JCT | SK | - | 03-23-18 |
| PID REVISION USED FOR DESIGN | | | | | |

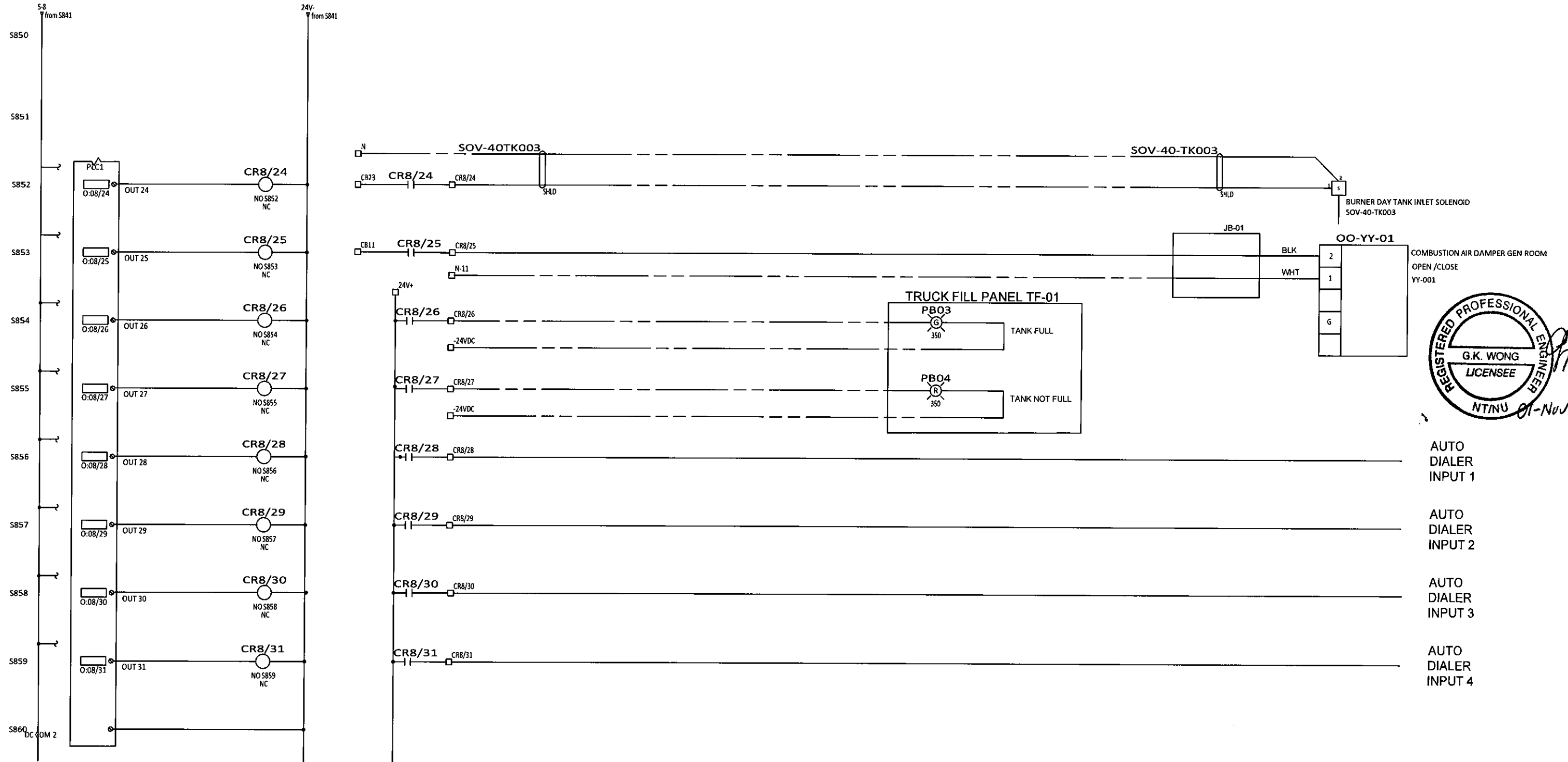
NOTE

THIS DRAWING IS THE PROPERTY OF AWC WATER SOLUTIONS, AND CONTAINS PROPRIETARY AND CONFIDENTIAL INFORMATION WHICH MUST NOT BE DUPLICATED, USED OR DISCLOSED OTHER THAN EXPRESSLY AUTHORIZED BY AWC WATER SOLUTIONS.

AWC WATER SOLUTIONS LTD.
 #104-19074 22nd Avenue Surrey, BC Canada V3Z 3S6
 Phone : 604-638-0760 Fax: 604-638-0795
 www.awcwater.com

| | | |
|-------------|----------|--------------------------------|
| DRAWN | JCT | GNWT |
| DESIGN | JCT | (S010338) |
| CHECKED | JCT | Gameti |
| APPROVED | JY | PLC MODULE 8 |
| DATE | 03-19-18 | ELECTRICAL AND CONTROL DIAGRAM |
| SCALE | N.T.S. | 23 OF 41 |
| DRAWING NO. | 10338-21 | REV 4 |


DISCRET OUTPUT MOUDLE 8



| REV | DESCRIPTION | BY | CHK'D | APP'D | DATE |
|------------------------------|-------------------------------------|-----|-------|-------|----------|
| 4 | AS BUILT | CH | GW | EJB | 10-31-19 |
| 3 | ANALOG MODULE ADDED AND I/O CHANGES | AKS | AKS | - | 2-12-18 |
| 2 | ISSUED FOR CONSTRUCTION | JCT | SK | - | 09-11-18 |
| 1 | 100% SUBMITTAL | JCT | SK | - | 07-17-18 |
| 0 | PRELIMINARY | JET | SK | - | 03-23-18 |
| PID REVISION USED FOR DESIGN | | | | | |

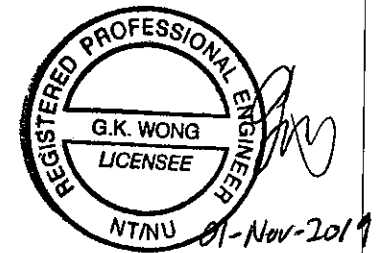
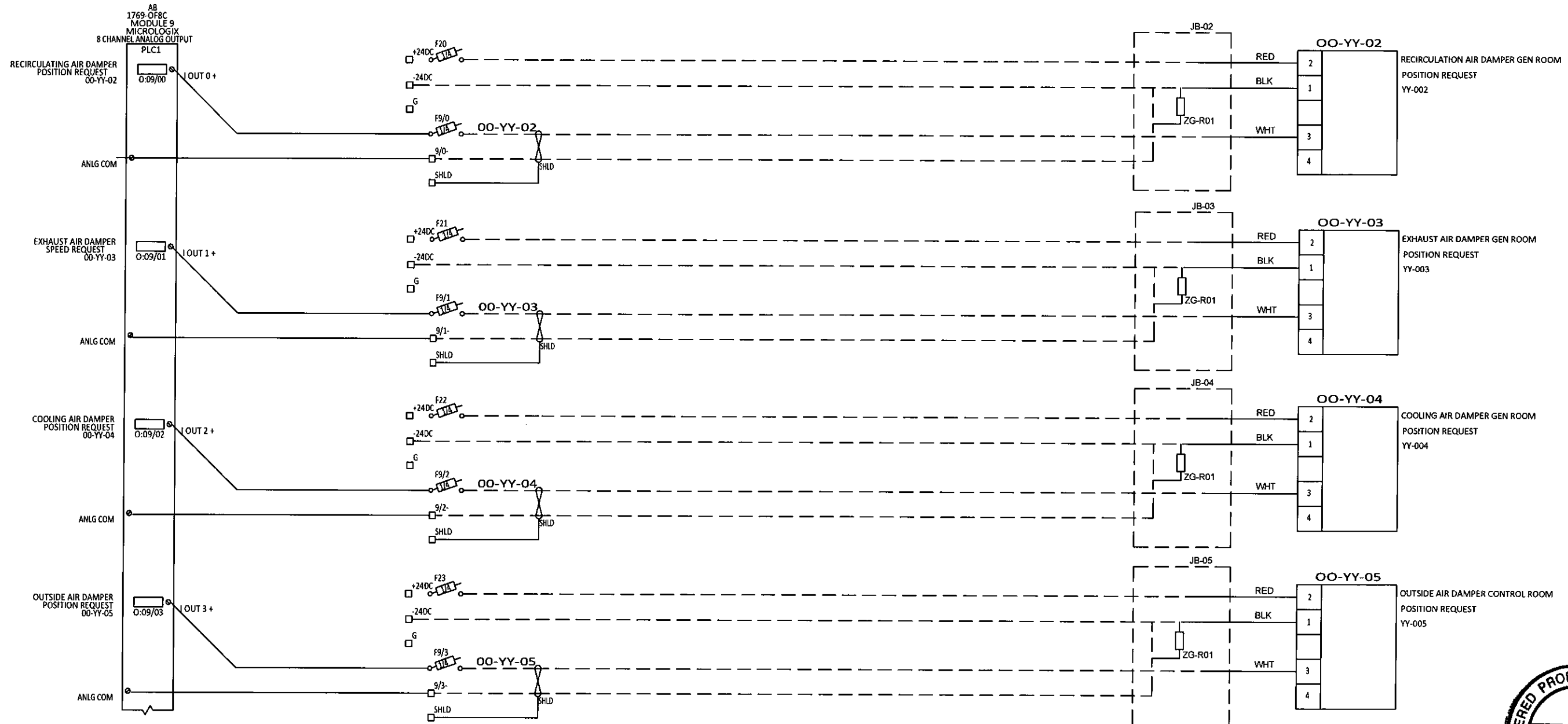
NOTE

THIS DRAWING IS THE PROPERTY OF AWC WATER SOLUTIONS, AND CONTAINS PROPRIETARY AND CONFIDENTIAL INFORMATION WHICH MUST NOT BE DUPLICATED, USED OR DISCLOSED OTHER THAN EXPRESSLY AUTHORIZED BY AWC WATER SOLUTIONS.


AWC WATER SOLUTIONS LTD.
 #104-19074 22nd Avenue Surrey, BC Canada V3Z 3S6
 Phone : 604-638-0760 Fax: 604-638-0795
 www.awcwater.com

| | | |
|-------------|----------|--------------------------------|
| DRAWN | JCT | GNWT |
| DESIGN | JCT | (S010338) |
| CHECKED | JCT | Gameti |
| APPROVED | JY | PLC MODULE 8 |
| DATE | 03-19-18 | ELECTRICAL AND CONTROL DIAGRAM |
| SCALE | N.T.S. | 24 OF 41 |
| DRAWING NO. | 10338-21 | REV 4 |


ELECTRICAL DIAGRAM



| REV | DESCRIPTION | BY | CHK'D | APP'D | DATE |
|------------------------------|-------------------------------------|-----|-------|-------|----------|
| 4 | AS BUILT | CH | GW | EJB | 10-31-19 |
| 3 | ANALOG MODULE ADDED AND I/O CHANGES | AKS | AKS | - | 2-12-18 |
| 2 | ISSUED FOR CONSTRUCTION | JCT | SK | - | 09-11-18 |
| 1 | 100% SUBMITTAL | JCT | SK | - | 07-17-18 |
| 0 | PRELIMINARY | JCT | SK | - | 03-23-18 |
| PID REVISION USED FOR DESIGN | | | | | |

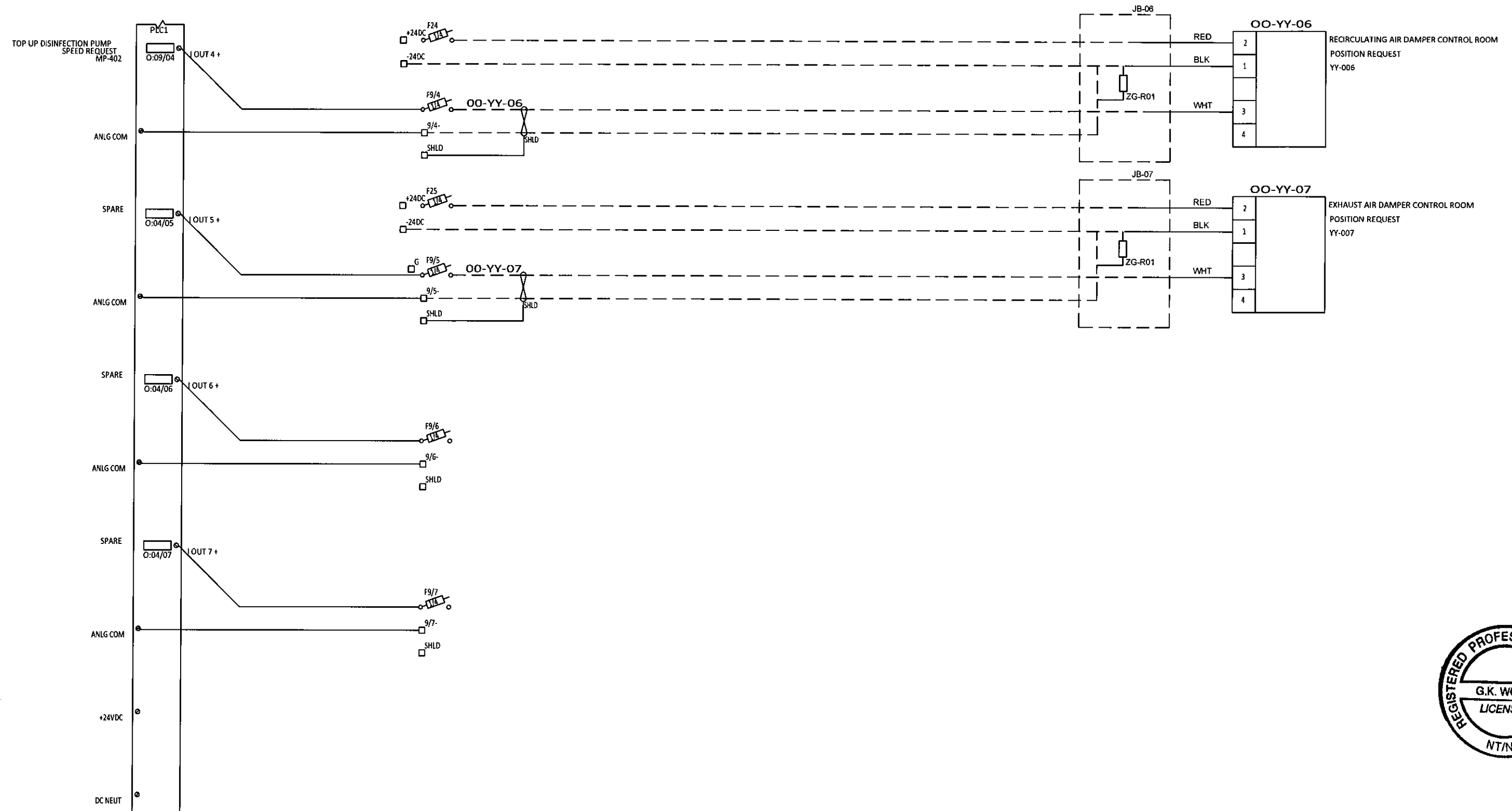
NOTE

THIS DRAWING IS THE PROPERTY OF AWC WATER SOLUTIONS, AND CONTAINS PROPRIETARY AND CONFIDENTIAL INFORMATION WHICH MUST NOT BE DUPLICATED, USED OR DISCLOSED OTHER THAN EXPRESSLY AUTHORIZED BY AWC WATER SOLUTIONS.


AWC WATER SOLUTIONS LTD.
 #104-19074 22nd Avenue Surrey, BC Canada V3Z 3S6
 Phone: 604-638-0760 Fax: 604-638-0795
 www.awcwater.com

| | | |
|-------------|----------|--------------------------------|
| DRAWN | JCT | GNWT |
| DESIGN | JCT | (S010338) |
| CHECKED | JCT | Gameti |
| APPROVED | JY | PLC MODULE 9 |
| DATE | 03-19-18 | ELECTRICAL AND CONTROL DIAGRAM |
| SCALE | N.T.S. | 25 OF 41 |
| DRAWING NO. | 10338-21 | REV 4 |

ELECTRICAL DIAGRAM



| REV | DESCRIPTION | BY | CHK'D | APP'D | DATE |
|------------------------------|-------------------------------------|-----|-------|-------|----------|
| 4 | AS BUILT | CH | GW | EJB | 10-31-19 |
| 3 | ANALOG MODULE ADDED AND I/O CHANGES | AKS | AKS | - | 2-12-18 |
| 2 | ISSUED FOR CONSTRUCTION | JCT | SK | - | 09-11-18 |
| 1 | 100% SUBMITTAL | JCT | SK | - | 07-17-18 |
| 0 | PRELIMINARY | JCT | SK | - | 03-23-18 |
| PID REVISION USED FOR DESIGN | | REV | | | |

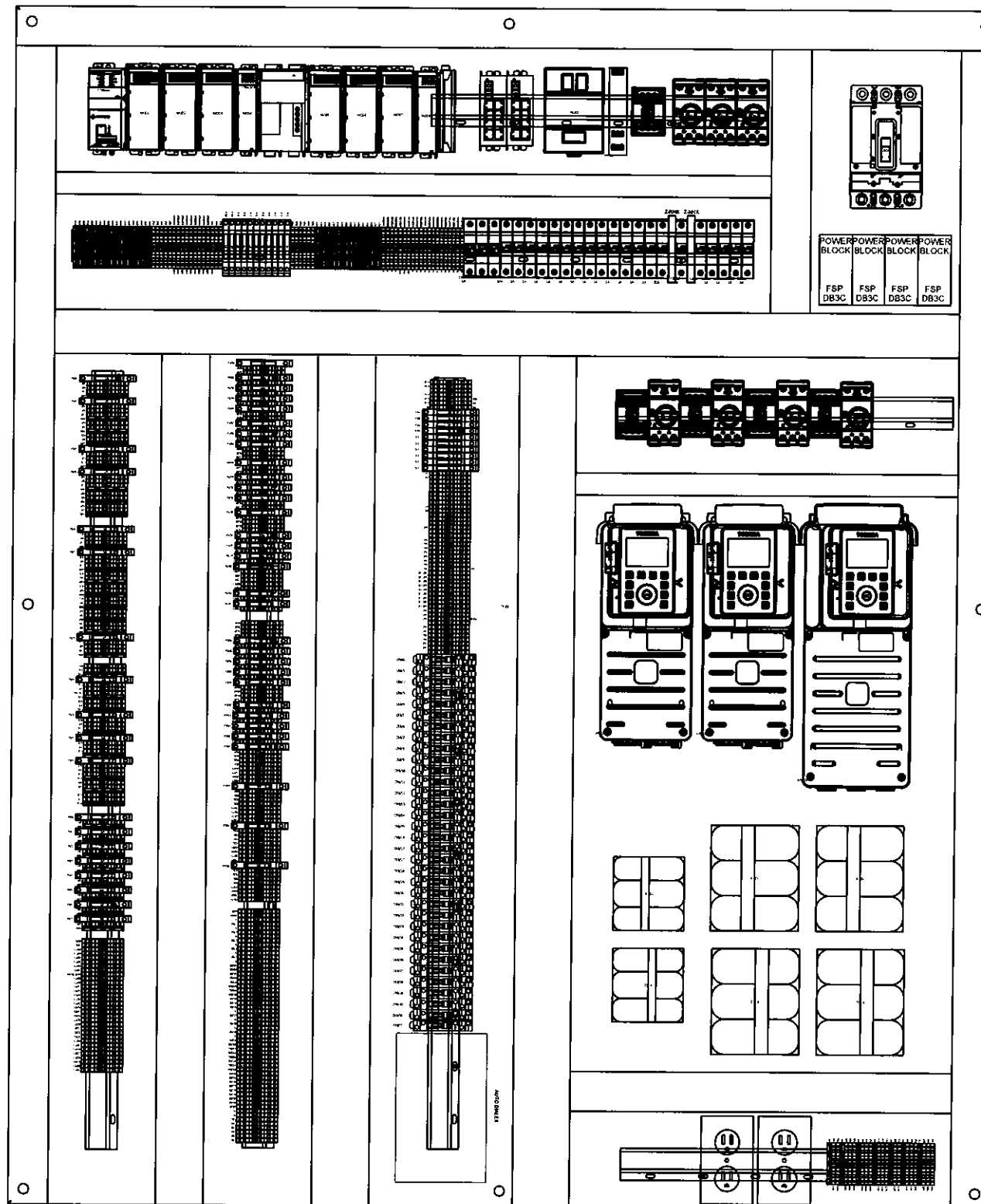
NOTE

THIS DRAWING IS THE PROPERTY OF AWC WATER SOLUTIONS, AND CONTAINS PROPRIETARY AND CONFIDENTIAL INFORMATION WHICH MUST NOT BE DUPLICATED, USED OR DISCLOSED OTHER THAN EXPRESSLY AUTHORIZED BY AWC WATER SOLUTIONS.


AWC WATER SOLUTIONS LTD.
 #104-19074 22nd Avenue Surrey, BC Canada V3Z 3S6
 Phone : 604-638-0760 Fax: 604-638-0795
 www.awcwater.com

| | | |
|-------------|----------|--------------------------------|
| DRAWN | JCT | GNWT |
| DESIGN | JCT | (SO10338) |
| CHECKED | JCT | Gameti |
| APPROVED | JY | PLC MODULE 9 |
| DATE | 03-19-18 | ELECTRICAL AND CONTROL DIAGRAM |
| SCALE | N.T.S. | 26 OF 41 |
| DRAWING NO. | 10338-21 | REV 4 |

ELECTRICAL DIAGRAM



| REV | DESCRIPTION | BY | CHK'D | APP'D | DATE |
|------------------------------|-------------------------------------|-----|-------|-------|----------|
| 4 | AS BUILT | CH | GW | EJB | 10-31-19 |
| 3 | ANALOG MODULE ADDED AND I/O CHANGES | AKS | AKS | - | 2-12-19 |
| 2 | ISSUED FOR CONSTRUCTION | JCT | SK | - | 09-11-18 |
| 1 | 100% SUBMITTAL | JCT | SK | - | 07-17-18 |
| 0 | PRELIMINARY | JCT | SK | - | 03-23-18 |
| PID REVISION USED FOR DESIGN | | REV | | | |

NOTE

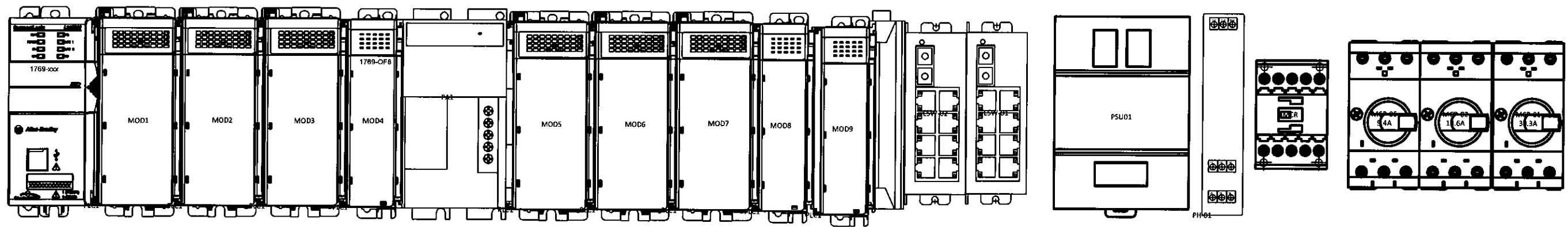
THIS DRAWING IS THE PROPERTY OF AWC WATER SOLUTIONS, AND CONTAINS PROPRIETARY AND CONFIDENTIAL INFORMATION WHICH MUST NOT BE DUPLICATED, USED OR DISCLOSED OTHER THAN EXPRESSLY AUTHORIZED BY AWC WATER SOLUTIONS.

AWC WATER SOLUTIONS LTD.

#104-19074 22nd Avenue Surrey, BC Canada V3Z 3S6
Phone : 604-638-0760 Fax: 604-638-0795
www.awcwater.com

| | | |
|-------------|----------|--------------------------------|
| DRAWN | JCT | GNWT |
| DESIGN | JCT | (S010338) |
| CHECKED | JCT | Gamei |
| APPROVED | JY | INTERNAL LAYOUT |
| DATE | 03-19-18 | ELECTRICAL AND CONTROL DIAGRAM |
| SCALE | N.T.S. | 27 OF 41 |
| DRAWING NO. | 10338-21 | REV 4 |

ELECTRICAL DIAGRAM



| REV | DESCRIPTION | BY | CHK'D | APP'D | DATE |
|------------------------------|-------------------------------------|-----|-------|-------|----------|
| 4 | AS BUILT | CH | GW | EJB | 10-31-19 |
| 3 | ANALOG MODULE ADDED AND I/O CHANGES | AKS | AKS | - | 2-12-18 |
| 2 | ISSUED FOR CONSTRUCTION | JCT | SK | - | 09-11-18 |
| 1 | 100% SUBMITTAL | JCT | SK | - | 07-17-18 |
| 0 | PRELIMINARY | JCT | SK | - | 03-23-18 |
| PID REVISION USED FOR DESIGN | | REV | | | |

NOTE

THIS DRAWING IS THE PROPERTY OF AWC WATER SOLUTIONS, AND CONTAINS PROPRIETARY AND CONFIDENTIAL INFORMATION WHICH MUST NOT BE DUPLICATED, USED OR DISCLOSED OTHER THAN EXPRESSLY AUTHORIZED BY AWC WATER SOLUTIONS.

AWC WATER SOLUTIONS LTD.

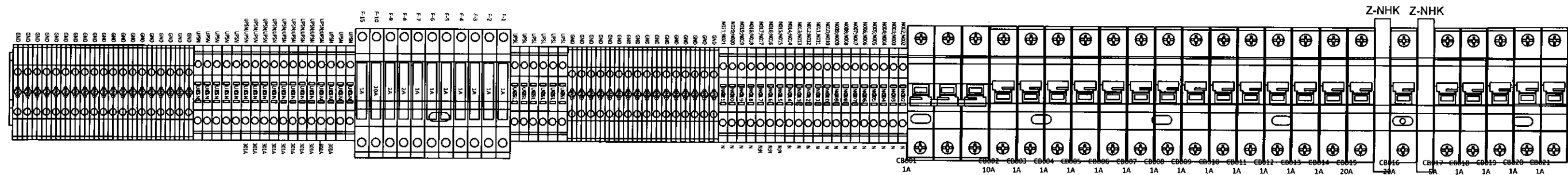
#104-19074 22nd Avenue Surrey, BC Canada V3Z 3S6
 Phone : 604-638-0760 Fax: 604-638-0795
www.awcwater.com

| | | |
|-------------|----------|----------------------------------|
| DRAWN | JCT | GNWT |
| DESIGN | JCT | (S010338) |
| CHECKED | JCT | Gameti |
| APPROVED | JY | REGISTERED PROFESSIONAL ENGINEER |
| DATE | 03-19-18 | NT/NU |
| SCALE | N.T.S. | 01-Nov-2019 |
| DRAWING NO. | 10338-21 | REV 4 |

TERMINAL STRIP 1
ELECTRICAL AND CONTROL DIAGRAM

28 OF 41

ELECTRICAL DIAGRAM



| REV | DESCRIPTION | BY | CHK'D | APP'D | DATE |
|------------------------------|-------------------------------------|-----|-------|-------|----------|
| 4 | AS BUILT | CH | GW | EJB | 10-31-19 |
| 3 | ANALOG MODULE ADDED AND I/O CHANGES | AKS | AKS | - | 2-12-18 |
| 2 | ISSUED FOR CONSTRUCTION | JCT | SK | - | 09-11-18 |
| 1 | 100% SUBMITTAL | JCT | SK | - | 07-17-18 |
| 0 | PRELIMINARY | JCT | SK | - | 03-23-18 |
| PID REVISION USED FOR DESIGN | | REV | | | |

NOTE

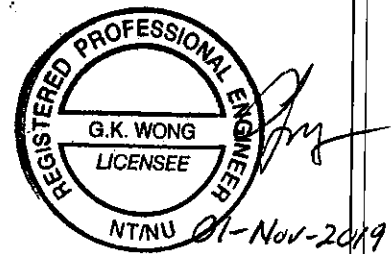
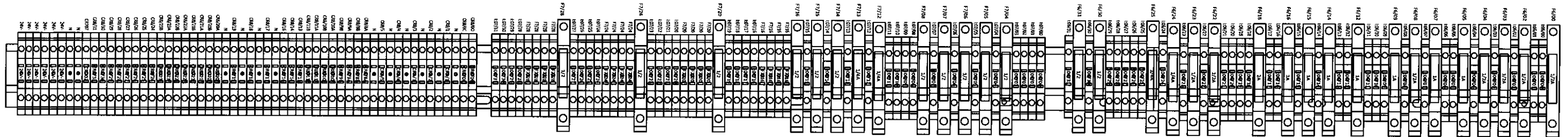
THIS DRAWING IS THE PROPERTY OF AWC WATER SOLUTIONS, AND CONTAINS PROPRIETARY AND CONFIDENTIAL INFORMATION WHICH MUST NOT BE DUPLICATED, USED OR DISCLOSED OTHER THAN EXPRESSLY AUTHORIZED BY AWC WATER SOLUTIONS.

AWC WATER SOLUTIONS LTD.

#104-19074 22nd Avenue Surrey, BC Canada V3Z 3S6
 Phone : 604-638-0760 Fax: 604-638-0795
 www.awcwater.com

| | | |
|----------|----------|---|
| DRAWN | JCT | GNWT (SO10338) Gameti TERMINAL STRIP 2 ELECTRICAL AND CONTROL DIAGRAM 29 OF 41 |
| DESIGN | JCT | |
| CHECKED | JCT | |
| APPROVED | JY | |
| DATE | 03-19-18 | |
| SCALE | N.T.S. | DRAWING NO. 10338-21 |
| | | REV 4 |

ELECTRICAL DIAGRAM



| REV | DESCRIPTION | BY | CHK'D | APP'D | DATE |
|-----|-------------------------------------|-----|-------|-------|----------|
| 4 | AS BUILT | CH | GW | EJB | 11-1-19 |
| 3 | ANALOG MODULE ADDED AND I/O CHANGES | AKS | AKS | - | 2-12-18 |
| 2 | ISSUED FOR CONSTRUCTION | JCT | SK | - | 09-11-18 |
| 1 | 100% SUBMITTAL | JCT | SK | - | 07-17-18 |
| 0 | PRELIMINARY | JCT | SK | - | 03-23-18 |
| REV | DESCRIPTION | BY | CHK'D | APP'D | DATE |
| | PID REVISION USED FOR DESIGN | REV | | | |

NOTE

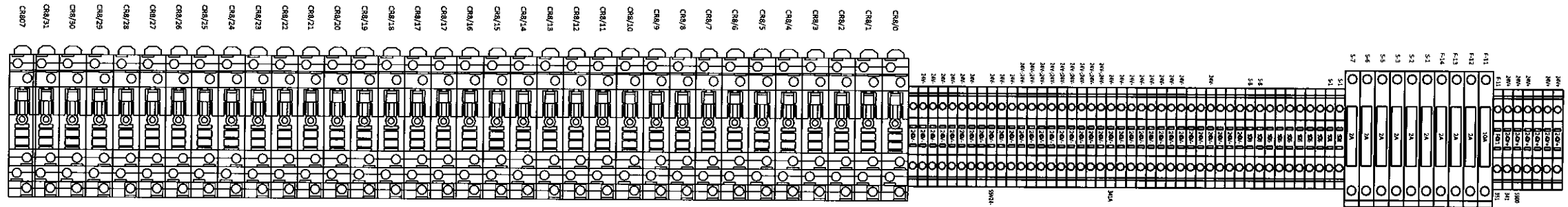
THIS DRAWING IS THE PROPERTY OF AWC WATER SOLUTIONS, AND CONTAINS PROPRIETARY AND CONFIDENTIAL INFORMATION WHICH MUST NOT BE DUPLICATED, USED OR DISCLOSED OTHER THAN EXPRESSLY AUTHORIZED BY AWC WATER SOLUTIONS.

AWC WATER SOLUTIONS LTD.

#104-19074 22nd Avenue Surrey, BC Canada V3Z 3S6
 Phone : 604-638-0760 Fax: 604-638-0795
 www.awcwater.com

| | | |
|----------|----------|---|
| DRAWN | JCT | GNWT (SO10338) Gameti TERMINAL STRIP 3 ELECTRICAL AND CONTROL DIAGRAM 30 OF 41 |
| DESIGN | JCT | |
| CHECKED | JCT | |
| APPROVED | JY | |
| DATE | 03-19-18 | |
| SCALE | N.T.S. | DRAWING NO. 10338-21 |
| | | REV 4 |


ELECTRICAL DIAGRAM



| REV | DESCRIPTION | BY | CHK'D | APP'D | DATE |
|------------------------------|-------------------------------------|-----|-------|-------|----------|
| 4 | AS BUILT | CH | GW | EJB | 10-31-19 |
| 3 | ANALOG MODULE ADDED AND I/O CHANGES | AKS | AKS | - | 2-12-18 |
| 2 | ISSUED FOR CONSTRUCTION | JCT | SK | - | 09-11-18 |
| 1 | 100% SUBMITTAL | JCT | SK | - | 07-17-18 |
| 0 | PRELIMINARY | JCT | SK | - | 03-23-18 |
| PID REVISION USED FOR DESIGN | | REV | | | |

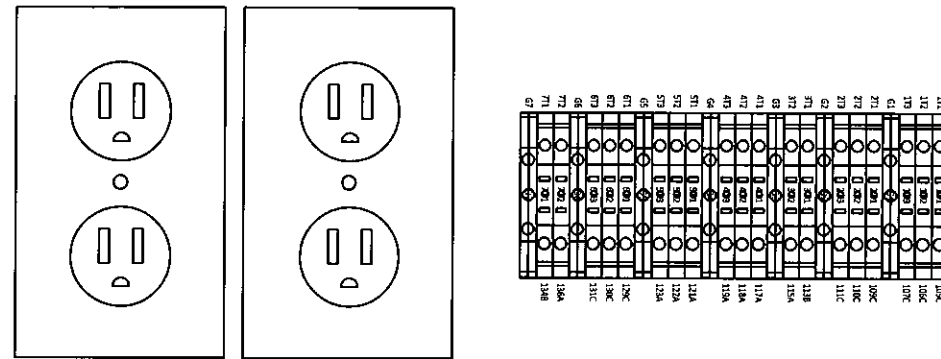
NOTE

THIS DRAWING IS THE PROPERTY OF AWC WATER SOLUTIONS, AND CONTAINS PROPRIETARY AND CONFIDENTIAL INFORMATION WHICH MUST NOT BE DUPLICATED, USED OR DISCLOSED OTHER THAN EXPRESSLY AUTHORIZED BY AWC WATER SOLUTIONS.


AWC WATER SOLUTIONS LTD.
 #104-19074 22nd Avenue Surrey, BC Canada V3Z 3S6
 Phone : 604-638-0760 Fax: 604-638-0795
 www.awcwater.com

| | | |
|----------|----------|---|
| DRAWN | JCT | GNWT (SO10338) Gameti TERMINAL STRIP 4 ELECTRICAL AND CONTROL DIAGRAM 31 OF 41 |
| DESIGN | JCT | |
| CHECKED | JCT | |
| APPROVED | JY | |
| DATE | 03-19-18 | |
| SCALE | N.T.S. | DRAWING NO. 10338-21 |
| | | REV 4 |

ELECTRICAL DIAGRAM



| REV | DESCRIPTION | BY | CHK'D | APP'D | DATE |
|------------------------------|-------------------------------------|-----|-------|-------|----------|
| 4 | AS BUILT | CH | GW | EJB | 10-31-19 |
| 3 | ANALOG MODULE ADDED AND I/O CHANGES | AKS | AKS | - | 2-12-18 |
| 2 | ISSUED FOR CONSTRUCTION | JCT | SK | - | 09-11-18 |
| 1 | 100% SUBMITTAL | JCT | SK | - | 07-17-18 |
| 0 | PRELIMINARY | JCT | SK | - | 03-23-18 |
| PID REVISION USED FOR DESIGN | | REV | | | |

NOTE

THIS DRAWING IS THE PROPERTY OF AWC WATER SOLUTIONS, AND CONTAINS PROPRIETARY AND CONFIDENTIAL INFORMATION WHICH MUST NOT BE DUPLICATED, USED OR DISCLOSED OTHER THAN EXPRESSLY AUTHORIZED BY AWC WATER SOLUTIONS.

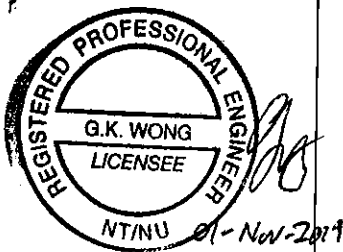
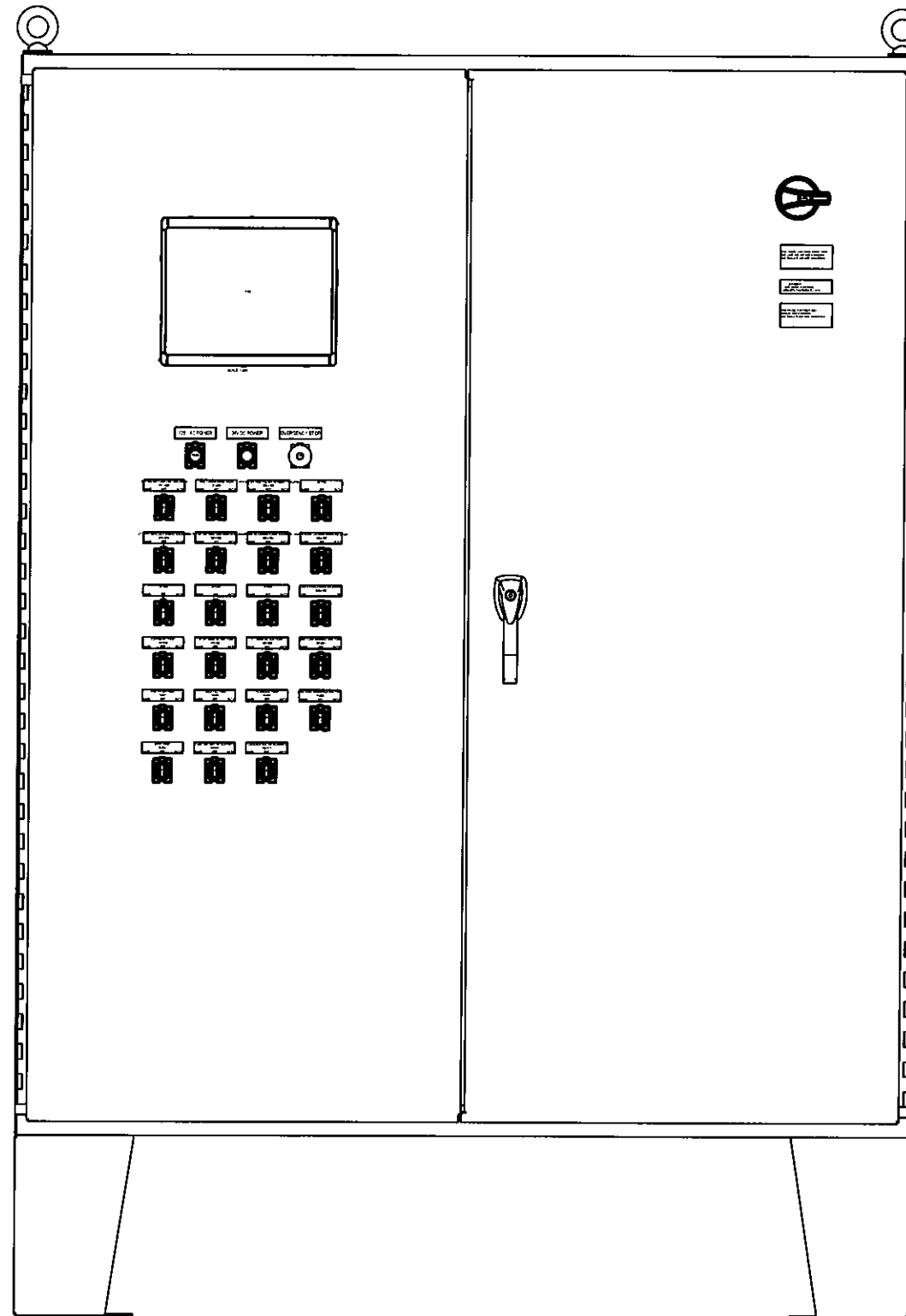
AWC WATER SOLUTIONS LTD.

#104-19074 22nd Avenue Surrey, BC Canada V3Z 3S6
 Phone : 604-638-0760 Fax: 604-638-0795
 www.awcwater.com

| | |
|----------|----------|
| DRAWN | JCT |
| DESIGN | JCT |
| CHECKED | JCT |
| APPROVED | JY |
| DATE | 03-19-18 |
| SCALE | N.T.S. |

| |
|---|
| GNWT (SO10338) Gameti TERMINAL STRIP 5 ELECTRICAL AND CONTROL DIAGRAM 32 OF 41 |
| DRAWING NO. 10338-21 |
| REV 4 |

ELECTRICAL DIAGRAM



| REV | DESCRIPTION | BY | CHK'D | APP'D | DATE |
|------------------------------|-------------------------------------|-----|-------|-------|----------|
| 4 | AS BUILT | CH | GW | EJB | 10-31-19 |
| 3 | ANALOG MODULE ADDED AND I/O CHANGES | AKS | AKS | - | 2-12-18 |
| 2 | ISSUED FOR CONSTRUCTION | JCT | SK | - | 09-11-18 |
| 1 | 100% SUBMITTAL | JCT | SK | - | 07-17-18 |
| 0 | PRELIMINARY | JCT | SK | - | 03-23-18 |
| PID REVISION USED FOR DESIGN | | REV | | | |

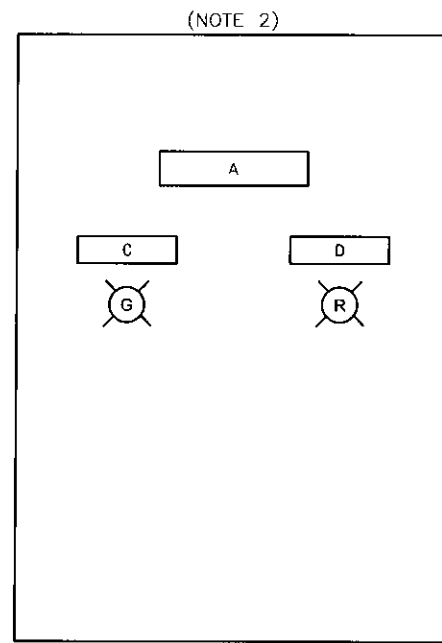
NOTE

THIS DRAWING IS THE PROPERTY OF AWC WATER SOLUTIONS, AND CONTAINS PROPRIETARY AND CONFIDENTIAL INFORMATION WHICH MUST NOT BE DUPLICATED, USED OR DISCLOSED OTHER THAN EXPRESSLY AUTHORIZED BY AWC WATER SOLUTIONS.


AWC WATER SOLUTIONS LTD.
 #104-19074 22nd Avenue Surrey, BC Canada V3Z 3S6
 Phone : 604-638-0760 Fax: 604-638-0795
 www.awcwater.com

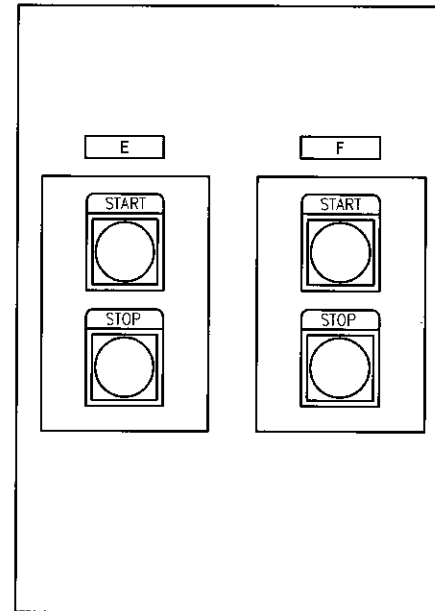
| | | |
|-------------|----------|--------------------------------|
| DRAWN | JCT | GNWT |
| DESIGN | JCT | (S010338) |
| CHECKED | JCT | Gameti |
| APPROVED | JY | EXTERNAL LAYOUT |
| DATE | 03-19-18 | ELECTRICAL AND CONTROL DIAGRAM |
| SCALE | N.T.S. | 33 OF 41 |
| DRAWING NO. | 10338-21 | REV 4 |

ELECTRICAL DIAGRAM

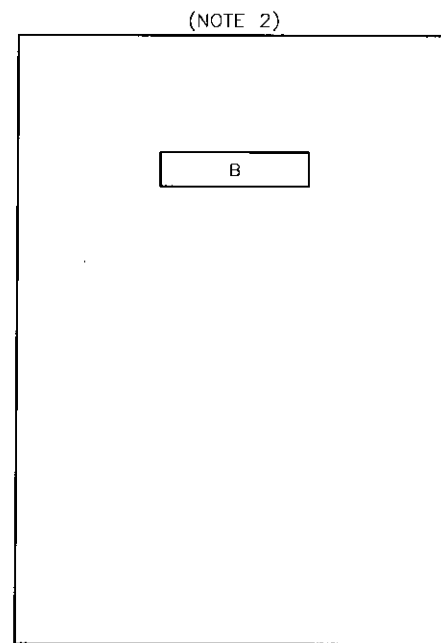


OUTER ENCLOSURE

TF-001

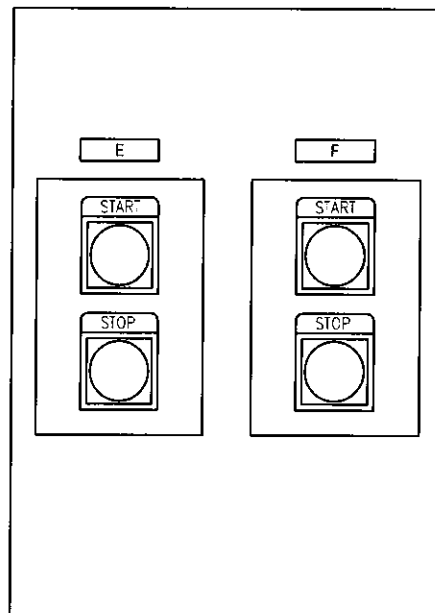


INNER ENCLOSURES



OUTER ENCLOSURE

TF-002



INNER ENCLOSURES

| LAMACOID SCHEDULE | | |
|-------------------|--------------------------|-------------|
| | FIRST LINE | SECOND LINE |
| A | TRUCK FILL CONTROL PANEL | TF-001 |
| B | TRUCK FILL CONTROL PANEL | TF-002 |
| C | TANK FULL | |
| D | TANK NOT FULL | |
| E | FIRE WATER | |
| F | TREATED WATER | |

NOTES:

1. CONTROL PANEL TF-001 IS MOUNTED ON THE WTP BUILDING EXTERIOR WALL; CONTROL PANEL TF-002 IS MOUNTED ON THE TRUCK FILL ARM.
2. OUTER ENCLOSURES SHALL BE HINGED AT THE TOP SO THAT THE DOOR OPENS UPWARDS.



| REV | DESCRIPTION | BY | CHK'D | APP'D | DATE |
|------------------------------|-------------------------------------|-----|-------|-------|----------|
| 4 | AS BUILT | CH | GW | EJB | 10-31-19 |
| 3 | ANALOG MODULE ADDED AND I/O CHANGES | AKS | AKS | - | 2-12-19 |
| 2 | ISSUED FOR CONSTRUCTION | JCT | SK | - | 09-11-18 |
| 1 | 100% SUBMITTAL | JCT | SK | - | 07-17-18 |
| 0 | PRELIMINARY | JCT | SK | - | 03-23-18 |
| PID REVISION USED FOR DESIGN | | | | | |

NOTE

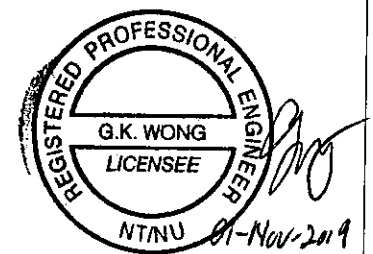
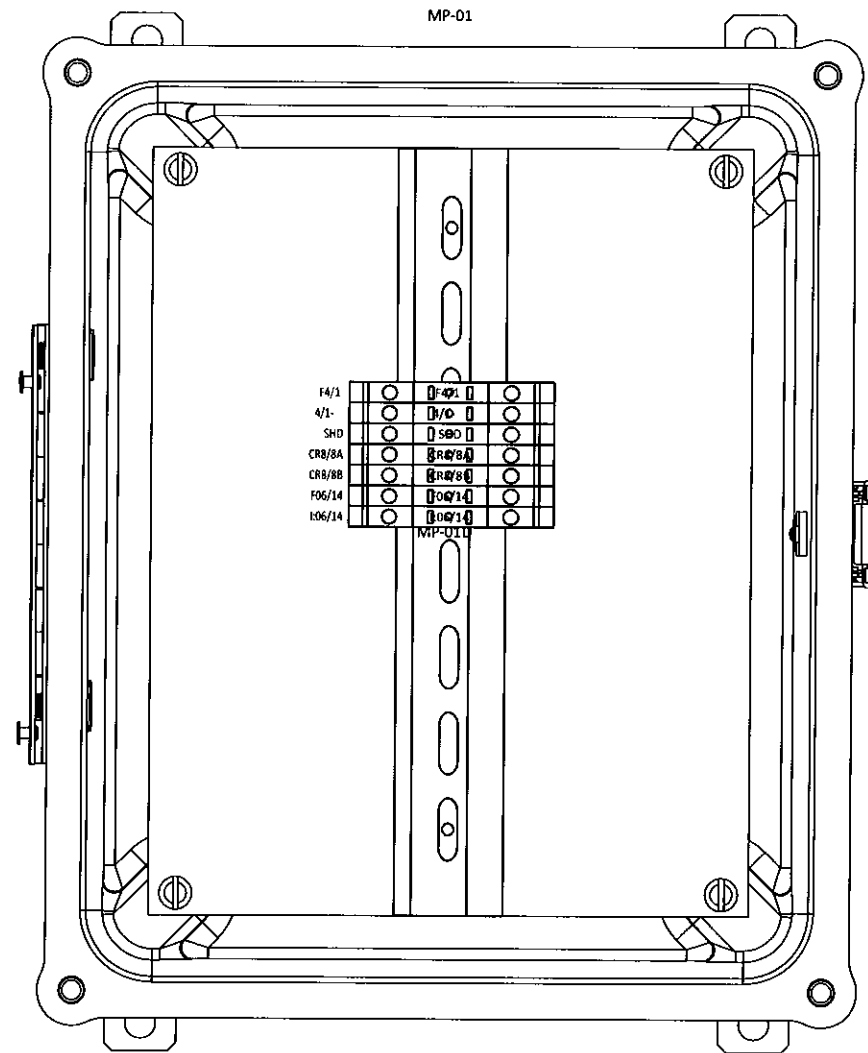
THIS DRAWING IS THE PROPERTY OF AWC WATER SOLUTIONS, AND CONTAINS PROPRIETARY AND CONFIDENTIAL INFORMATION WHICH MUST NOT BE DUPLICATED, USED OR DISCLOSED OTHER THAN EXPRESSLY AUTHORIZED BY AWC WATER SOLUTIONS.

AWC WATER SOLUTIONS LTD.

#104-19074 22nd Avenue Surrey, BC Canada V3Z 3S6
 Phone : 604-638-0760 Fax: 604-638-0795
 www.awcwater.com

| | | | |
|----------|----------|--|----------|
| DRAWN | JCT | GNWT (SO10338) Gameti EXTERNAL LAYOUT TRUCK FILL DIAGRAM 34 OF 41 | |
| DESIGN | JCT | | |
| CHECKED | JCT | | |
| APPROVED | JY | | |
| DATE | 03-19-18 | | |
| SCALE | N.T.S. | DRAWING NO. | 10338-21 |
| | | REV | 4 |

MARSHALLING PANEL MP-01



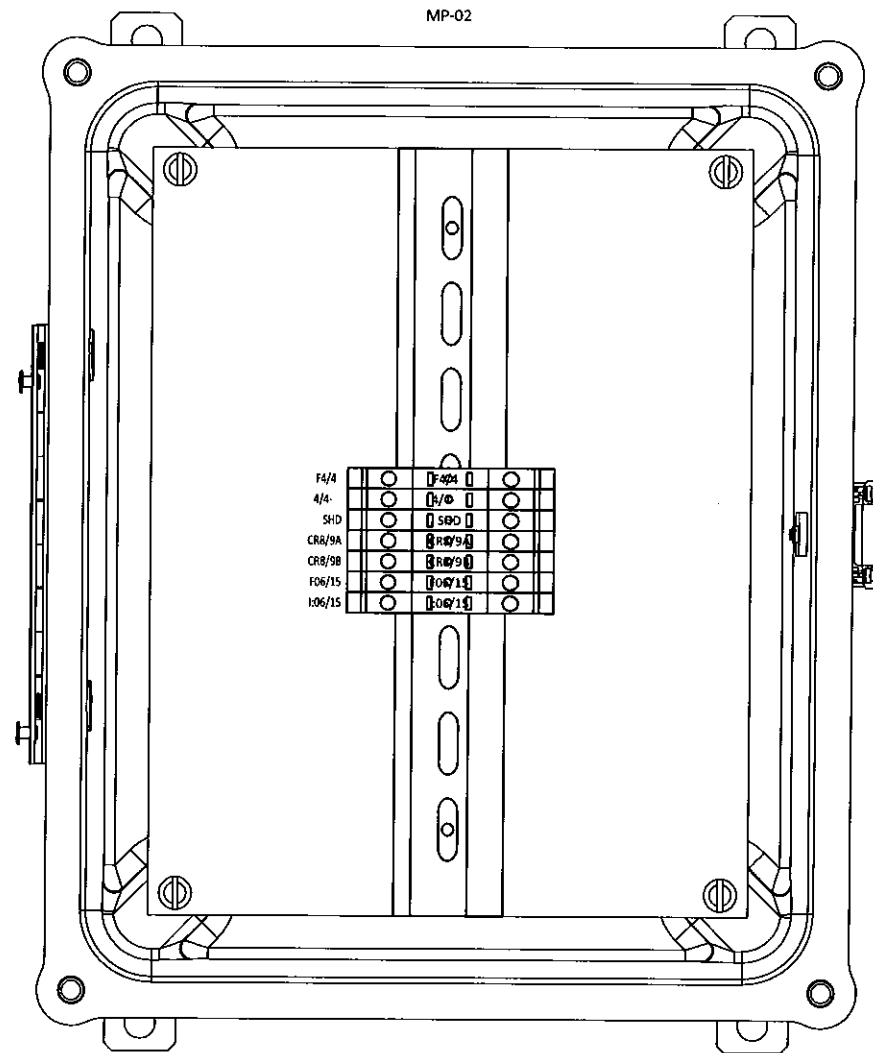
| REV | DESCRIPTION | BY | CHK'D | APP'D | DATE |
|------------------------------|-------------------------------------|-----|-------|-------|----------|
| 4 | AS BUILT | CH | GW | EJB | 10-31-19 |
| 3 | ANALOG MODULE ADDED AND I/O CHANGES | AKS | AKS | - | 2-12-18 |
| 2 | ISSUED FOR CONSTRUCTION | JCT | SK | - | 09-11-18 |
| 1 | 100% SUBMITTAL | JCT | SK | - | 07-17-18 |
| 0 | PRELIMINARY | JCT | SK | - | 03-23-18 |
| PID REVISION USED FOR DESIGN | | | | | |

NOTE
THIS DRAWING IS THE PROPERTY OF AWC WATER SOLUTIONS, AND CONTAINS PROPRIETARY AND CONFIDENTIAL INFORMATION WHICH MUST NOT BE DUPLICATED, USED OR DISCLOSED OTHER THAN EXPRESSLY AUTHORIZED BY AWC WATER SOLUTIONS.

AWC WATER SOLUTIONS LTD.
#104-19074 22nd Avenue Surrey, BC Canada V3Z 3S6
Phone : 604-638-0760 Fax: 604-638-0795
www.awcwater.com

| | | |
|----------|-------------|--------------------------------|
| DRAWN | JCT | GNWT |
| DESIGN | JCT | (S010338) |
| CHECKED | JCT | Gameti |
| APPROVED | JY | MP-01 LAYOUT |
| DATE | 03-19-18 | ELECTRICAL AND CONTROL DIAGRAM |
| SCALE | N.T.S. | 35 OF 41 |
| | DRAWING NO. | 10338-21 |
| | REV | 4 |

MARSHALLING PANEL MP-02



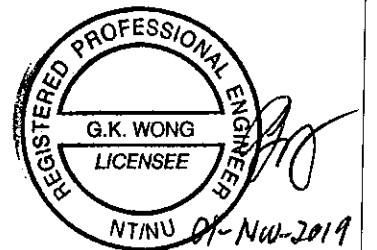
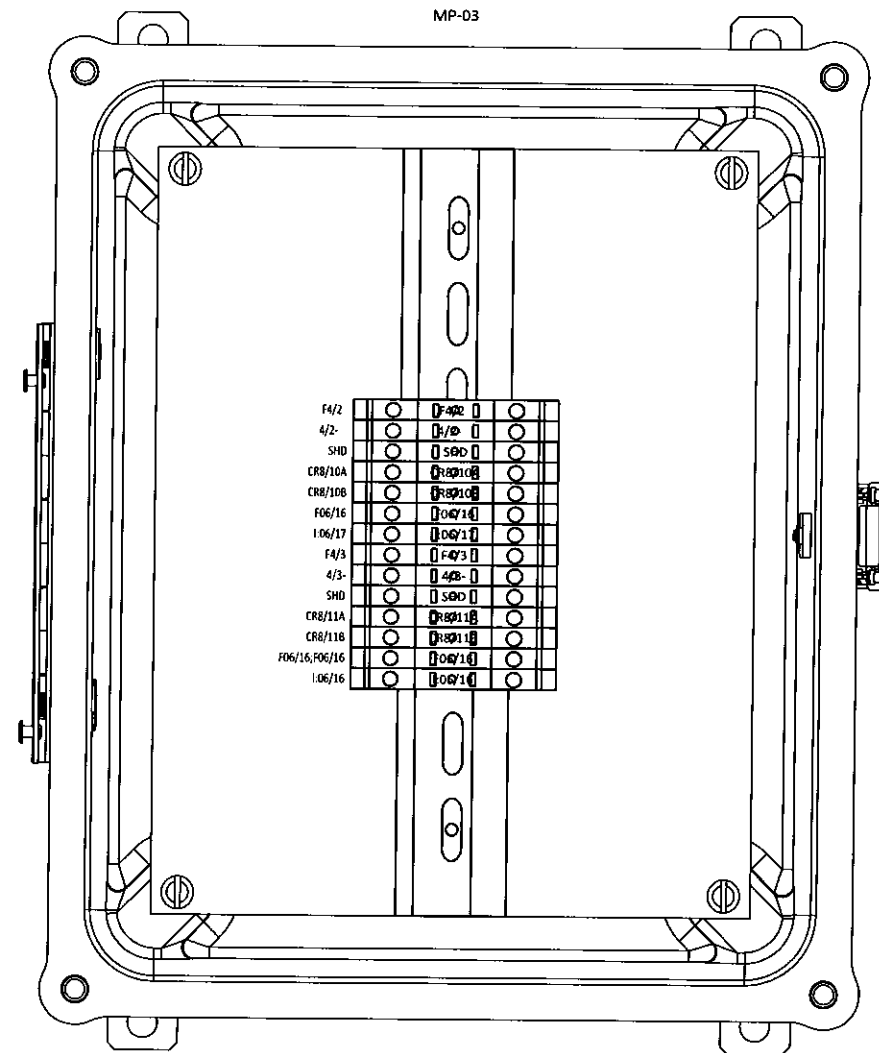
| REV | DESCRIPTION | BY | CHK'D | APP'D | DATE |
|-----|-------------------------------------|-----|-------|-------|----------|
| 4 | AS BUILT | CH | GW | EJB | 10-31-19 |
| 3 | ANALOG MODULE ADDED AND I/O CHANGES | AKS | AKS | - | 2-12-18 |
| 2 | ISSUED FOR CONSTRUCTION | JCT | SK | - | 09-11-18 |
| 1 | 100% SUBMITTAL | JCT | SK | - | 07-17-18 |
| 0 | PRELIMINARY | JET | SK | - | 03-23-18 |
| REV | DESCRIPTION | BY | CHK'D | APP'D | DATE |
| | PID REVISION USED FOR DESIGN | REV | | | |

NOTE
THIS DRAWING IS THE PROPERTY OF AWC WATER SOLUTIONS, AND CONTAINS PROPRIETARY AND CONFIDENTIAL INFORMATION WHICH MUST NOT BE DUPLICATED, USED OR DISCLOSED OTHER THAN EXPRESSLY AUTHORIZED BY AWC WATER SOLUTIONS.

AWC WATER SOLUTIONS LTD.
 #104-19074 22nd Avenue Surrey, BC Canada V3Z 3S6
 Phone : 604-638-0760 Fax: 604-638-0795
 www.awcwater.com

| | | |
|----------|-------------|--------------------------------|
| DRAWN | JCT | GNWT |
| DESIGN | JCT | (S010338) |
| CHECKED | JCT | Gameti |
| APPROVED | JY | MP-02 LAYOUT |
| DATE | 03-19-18 | ELECTRICAL AND CONTROL DIAGRAM |
| SCALE | N.T.S. | 36 OF 41 |
| | DRAWING NO. | 10338-21 |
| | REV | 4 |

MARSHALLING PANEL MP-03



| REV | DESCRIPTION | BY | CHK'D | APP'D | DATE |
|------------------------------|-------------------------------------|-----|-------|-------|----------|
| 4 | AS BUILT | CH | GW | EJB | 10-31-19 |
| 3 | ANALOG MODULE ADDED AND I/O CHANGES | AKS | AKS | - | 2-12-18 |
| 2 | ISSUED FOR CONSTRUCTION | JCT | SK | - | 09-11-18 |
| 1 | 100% SUBMITTAL | JCT | SK | - | 07-17-18 |
| 0 | PRELIMINARY | JGT | SK | - | 03-23-18 |
| PID REVISION USED FOR DESIGN | | REV | | | |

NOTE

THIS DRAWING IS THE PROPERTY OF AWC WATER SOLUTIONS, AND CONTAINS PROPRIETARY AND CONFIDENTIAL INFORMATION WHICH MUST NOT BE DUPLICATED, USED OR DISCLOSED OTHER THAN EXPRESSLY AUTHORIZED BY AWC WATER SOLUTIONS.

AWC WATER SOLUTIONS LTD.

#104-19074 22nd Avenue Surrey, BC Canada V3Z 3S6
 Phone : 604-638-0760 Fax: 604-638-0795
 www.awcwater.com

| | | |
|----------|----------|---|
| DRAWN | JCT | GNWT (S010338) Gameti MP-03 LAYOUT ELECTRICAL AND CONTROL DIAGRAM 37 OF 41 |
| DESIGN | JCT | |
| CHECKED | JCT | |
| APPROVED | JY | |
| DATE | 03-19-18 | |
| SCALE | N.T.S. | DRAWING NO. 10338-21 |
| | | REV 4 |

BILL OF MATERIAL

| Item | Supplier | Manufacturer | Description | Part # | Qty | Unit | Item | Supplier | Manufacturer | Description | Part # | Qty | Unit |
|------|-----------|----------------|---|----------------------|-----|------|------|-------------|--------------|---|---------------|-----|------|
| 1 | Westburne | Allen Bradley | PANELVIEW PLUS 10 INCH | 2711P-T10C21D8s | 1 | pc | 50 | CESCO | WEIDUMULLER | Din Rail mounted Receptacle | 6720005430 | 2 | pc |
| 2 | Westburne | Allen Bradley | COMPACTLOGIX CPU L33ER | 1769-L33ER | 1 | pc | 51 | CESCO | WEIDUMULLER | End plate (Beige) | 15000000 | 20 | pc |
| 3 | Westburne | Allen Bradley | 1769 COMPACTLOGIX I/O 8 CHANNEL ANALOG INPUT | 1769-IF8 | 3 | pc | 52 | CESCO | WEIDUMULLER | End plate (Blue) | 15080000 | 20 | pc |
| 4 | Westburne | Allen Bradley | 1769 COMPACTLOGIX I/O 32 POINT DIGITAL INPUT | 1769-IQ32 | 3 | pc | 53 | CESCO | ILSCO | Ground Lug | TA-2/0 | 1 | pc |
| 5 | Westburne | Allen Bradley | 1769 COMPACTLOGIX I/O 32 POINT DIGITAL OUTPUT | 1769-OB32 | 1 | pc | 54 | E B Horsman | Siemens | 3 Phase Monitor 160-690V | 3UG4513-1BR20 | 1 | pc |
| 6 | Westburne | Allen Bradley | 1769 COMPACTLOGIX I/O 8 CHANNEL ANALOG CURRENT OUTPUT | 1769-OF8C | 1 | pc | 55 | E B Horsman | eWon | Industrial VPN Router | EC6133C | 1 | pc |
| 7 | Westburne | Allen Bradley | 1769 COMPACTLOGIX I/O POWER SUPPLY | 1769-PA4 | 1 | pc | 56 | E B Horsman | SIXNET | NON MANAGED 8 PORT SWITCH | SLX-8E5-1 | 1 | pc |
| 8 | Westburne | Allen Bradley | Compact Logix End Cap Right | 1769-ECR | 1 | pc | 57 | E B Horsman | Panduit | 3" Wide x 4 High Wireway (ft) | F3X4LG6 | 35 | ft |
| 9 | Westburne | Allen Bradley | Raised Din Rail | 1492 DR6 | 8 | pc | 58 | E B Horsman | Panduit | 3" Wireway Cover (ft) | C3LG6 | 35 | ft |
| 10 | Westburne | Bussmann | 1 1/4" Glass Fuse 1 amp | AGC 1 | 30 | pc | 59 | E B Horsman | Panduit | 2" Wide x 4 High Wireway (ft) | F2X4LG6 | 35 | ft |
| 11 | Westburne | Bussmann | 1 1/4" Glass Fuse 2 amp | AGC 2 | 15 | pc | 60 | E B Horsman | Panduit | 2" Wireway Cover (ft) | C2LG6 | 35 | ft |
| 12 | Westburne | Bussmann | 1 1/4" Glass Fuse 5 amp | AGC 5 | 10 | pc | 61 | E B Horsman | Panduit | 1" Wide x 4 High Wireway (ft) | F1X4LG6 | 10 | ft |
| 13 | Westburne | Bussmann | 1 1/4" Glass Fuse 10 amp | AGC 10 | 7 | pc | 62 | E B Horsman | Panduit | 1" Wireway Cover (ft) | C1LG6 | 10 | ft |
| 14 | Westburne | Bussmann | 1 1/4" Glass Fuse 1/4 amp | AGC 1/4 | 35 | pc | 63 | E B Horsman | Panduit | 35mm Din Rail (ft) | TS35 | 3 | ft |
| 15 | Wesco | EATON | FAZ-NA SERIES MINIATURE CIRCUIT BREAKER CHARACTERISTIC C, SINGLE POLE, 1 AMP, 240VAC, 10kAIC | FAZ-C1/1-NASP | 16 | pc | 64 | E B Horsman | IPEX | Duplex Receptacle | 5320-WCP | 5 | pc |
| 16 | Wesco | EATON | FAZ-NA SERIES MINIATURE CIRCUIT BREAKER CHARACTERISTIC C, SINGLE POLE, 5 AMP, 240VAC, 10kAIC | FAZ-C5/1-NASP | 1 | pc | 65 | E B Horsman | IPEX | GANG BOX COVER | WP5100C | 5 | pc |
| 17 | Wesco | EATON | FAZ-NA SERIES MINIATURE CIRCUIT BREAKER CHARACTERISTIC C, SINGLE POLE, 10 AMP, 240VAC, 10kAIC | FAZ-C10/1-NASP | 1 | pc | 66 | E B Horsman | IPEX | SINGLE GANG BOX | FD BLANK | 5 | pc |
| 18 | Wesco | EATON | FAZ-NA SERIES MINIATURE CIRCUIT BREAKER CHARACTERISTIC D, SINGLE POLE, 20 AMP, 240VAC, 10kAIC | FAZ-D20/1-NASP | 2 | pc | 67 | AWC | Toshiba | AS3 208V 3PH 7.8AMP | VFAS3-2007P | 1 | pc |
| 19 | Wesco | EATON | FAZ-NA SERIES MINIATURE CIRCUIT BREAKER CHARACTERISTIC C, THREE POLE, 1 AMP, 240VAC, 10kAIC | FAZ-C1/3-NA | 1 | pc | 68 | AWC | Toshiba | AS3 208V 3PH 17AMP | VFAS3-2022P | 1 | pc |
| 20 | Wesco | EATON | FAZ-NA ALARM/AUX CONTACT | F-ZNHK | 2 | pc | 69 | AWC | Toshiba | AS3 208V 3PH 25AMP | VFAS3-2037P | 1 | pc |
| 21 | Wesco | EATON | CIRCUIT BREAKER - J250 FRAME - 3-POLE CIRCUIT BREAKER | JGH3150FAG | 1 | pc | 70 | TMS | TMS | LOAD REACTOR 2HP | KDRA26H | 1 | pc |
| 22 | Wesco | EATON | NON-FUSIBLE ROTARY DISCONNECT SWITCH, 30A (3 POLE) | ER53030UPGB | 7 | pc | 71 | TMS | TMS | LINE REACTOR 2HP | KDRA27L | 1 | pc |
| 23 | Wesco | EATON | J FRAME HANDLE ASSEMBLY | FJHMVD12B | 1 | pc | 72 | TMS | TMS | LINE REACTOR 5HP | KDRB22L | 1 | pc |
| 24 | Wesco | EATON | XTCE IEC 3 POLE FRAME B 15A FVNR IEC CONTACTOR W/SCREW TERMS, 1NO AUX. | XTCE015B10A | 1 | pc | 73 | TMS | TMS | LINE REACTOR 7.5HP | KDRB23L | 1 | pc |
| 25 | Wesco | EATON | XTCE FVNR IEC CONTACTOR 7A, 24VDC COIL | XTCE07B10TD | 1 | pc | 74 | TMS | TMS | LOAD REACTOR 5HP | KDRB25H | 1 | pc |
| 26 | Wesco | EATON | XTCE FVNR IEC CONTACTOR 12A, 24VDC COIL | XTCE012B10TD | 4 | pc | 75 | TMS | TMS | LOAD REACTOR 7.5HP | KDRB26H | 1 | pc |
| 27 | Wesco | EATON | XTPR IEC 3 POLE FRAME B 10A IEC MMP ROTARY W/SCREW TERMS | XTPR010BC1 | 1 | pc | | TRUCKFIL | | TRUCKFIL PANEL | | | |
| 28 | Wesco | EATON | XTPR IEC 3 POLE FRAME B 12A IEC MMP ROTARY W/SCREW TERMS | XTPR012BC1 | 4 | pc | 1 | CESCO | HOFFMAN | ENCLOSURE, NEMA 4X, HOFFMAN | A14107JFQQR | 2 | pc |
| 29 | Wesco | EATON | XTPR IEC 3 POLE FRAME B 20A IEC MMP ROTARY W/SCREW TERMS | XTPR020BC1 | 1 | pc | 2 | Wesco | EATON | EATON PUSHBUTTON CONTROL STATION, PAINTED RED | 10250TN2 | 2 | pc |
| 30 | Wesco | EATON | XTPR IEC 3 POLE FRAME B 25A IEC MMP ROTARY W/SCREW TERMS | XTPR025BC1 | 1 | pc | 3 | Wesco | EATON | EATON PUSHBUTTON CONTROL STATION | 10250TN2 | 2 | pc |
| 31 | Wesco | EATON | MCP Trip Auxiliary contact | XTPASATR20 | 4 | pc | 4 | Wesco | EATON | EATON GREEN MOMENTARY PUSHBUTTON | 10250T103 | 3 | pc |
| 32 | Wesco | EATON | M22 ILLUMINATED PUSHBUTTON FLUSH MOMENTARY | M22-DL-B-K11-B | 1 | pc | 5 | Wesco | EATON | EATON RED MOMENTARY PUSHBUTTON | 10250T102 | 3 | pc |
| 33 | Wesco | EATON | M22 EMERGENCY STOP, 35MM, RED, NON-ILLUMINATED, TWIST TO RELEASE WITH 1NC CONTACT | M22-PVT-K01 | 1 | pc | 6 | Wesco | EATON | EATON NO-NC CONTACT BLOCK | 10250T1 | 8 | pc |
| 34 | Wesco | EATON | M22 ILLUMINATED PUSHBUTTON FLUSH MOMENTARY | M225-DL-W-K11-230W | 1 | pc | 7 | Wesco | EATON | EATON "START" SQUARE LEGEND PLATE | 10250TS33 | 4 | pc |
| 35 | Wesco | EATON | 3-POS MTN SEL SWTCH THB-GP SIL-BZL WHT | M22-WRK3-K30 | 25 | pc | 8 | Wesco | EATON | EATON "STOP" SQUARE LEGEND PLATE | 10250TS34 | 4 | pc |
| 36 | Wesco | EATON | PSG POWER SUPPLY SINGLE PHASE 240W 100-240VAC INPUT, 24VDC/10A OUTPUT | PSG240E | 1 | pc | | | | | | | |
| 37 | Wesco | FERRAZ SHAWMUT | POWER DISTRIBUTION BLOCK | FSPDB3A | 4 | pc | | | | | | | |
| 38 | Wesco | Hammond | Enclosure 10 x 8 x 6 (polyester)Nema 4X | PJ1086RL | 3 | pc | | | | | | | |
| 39 | Wesco | Hammond | Backpan | 14R0907 | 3 | pc | | | | | | | |
| 40 | Wesco | Hammond | N12 Dbl DOOR FLOORMOUNT ENCL W/PANEL | 1422E12F | 1 | pc | | | | | | | |
| 41 | CESCO | OMRON | ORMON RELAY SOCKET - SCREW TERMINAL | P2RF-05-E | 35 | pc | | | | | | | |
| 42 | CESCO | OMRON | CONTROL PANEL RELAY - LED AND DIODE WITH TEST BUTTON | G2R-1-SNDI-24VDC-(S) | 35 | pc | | | | | | | |
| 43 | CESCO | WEIDMULLER | STANDARD DESIGN PROTECTIVE CONDUCTOR TERMINAL - WPE 4 | 1010100000 | 100 | pc | | | | | | | |
| 44 | CESCO | WEIDMULLER | STANDARD DESIGN TERMINAL BLOCK - WDU 4 | 1020100000 | 300 | pc | | | | | | | |
| 45 | CESCO | WEIDMULLER | STANDARD DESIGN TERMINAL BLOCK - WDU 4 | 1020180000 | 70 | pc | | | | | | | |
| 46 | CESCO | WEIDMULLER | TERMINAL BLOCK 10-36VDC | 1880410000 | 65 | pc | | | | | | | |
| 47 | CESCO | WEIDMULLER | TERMINAL BLOCK 60-150V | 1880420000 | 25 | pc | | | | | | | |
| 48 | CESCO | WEIDMULLER | End Anchors (ew35) | 383560000 | 15 | pc | | | | | | | |
| 49 | CESCO | WEIDMULLER | JUMPER BAR | 1052060000 | 1 | box | | | | | | | |

| REV | DESCRIPTION | BY | CHK'D | APP'D | MON/DAY/YEAR |
|-----|-------------------------------------|-----|-------|-------|--------------|
| 4 | AS BUILT | CH | GW | EJB | 10-31-19 |
| 3 | ANALOG MODULE ADDED AND I/O CHANGES | JCT | SK | - | 09-11-18 |
| 2 | ISSUED FOR CONSTRUCTION | JCT | SK | - | 09-11-18 |
| 1 | 100% SUBMITTAL | JCT | SK | - | 07-17-18 |
| | PID REVISION USED FOR DESIGN | | | | |

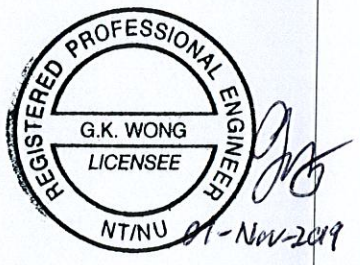
NOTE

THIS DRAWING IS THE PROPERTY OF AWC WATER SOLUTIONS, AND CONTAINS PROPRIETARY AND CONFIDENTIAL INFORMATION WHICH MUST NOT BE DUPLICATED, USED OR DISCLOSED OTHER THAN EXPRESSLY AUTHORIZED BY AWC WATER SOLUTIONS.

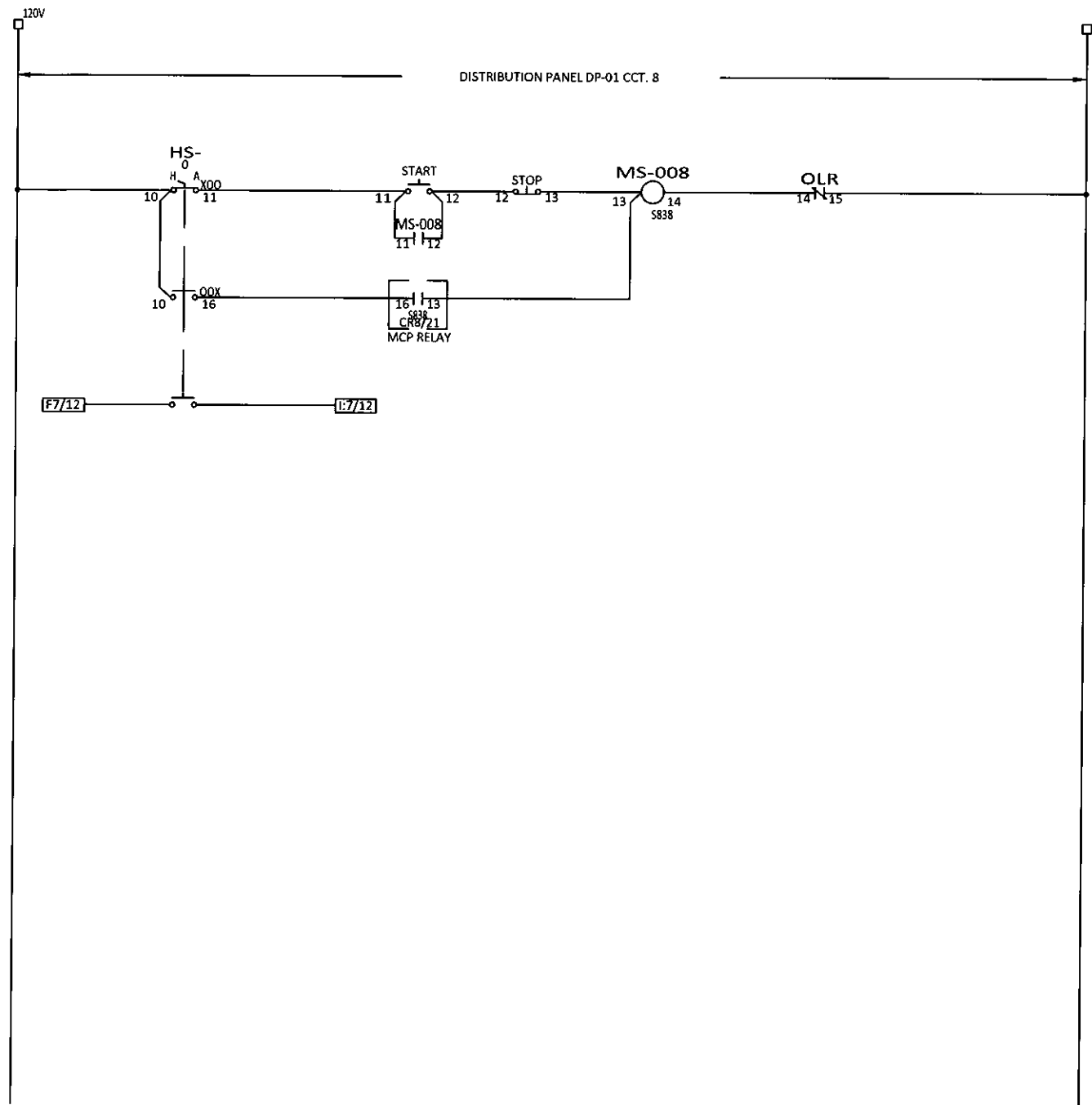


#104-19074 22nd Avenue Surrey, BC Canada V3Z 3S6
 Phone : 604-638-0760 Fax: 604-638-0795
 www.awcwater.com

| | | |
|----------|----------|----------------------------|
| DRAWN | JCT | GNWT |
| DESIGN | JCT | (SO10338) |
| CHECKED | JCT | Gameti |
| APPROVED | JY | BILL OF MATERIALS |
| DATE | 07-17-18 | 38 OF 41 |
| SCALE | N.T.S. | DRAWING NO. 10338-21 REV 4 |



ELECTRICAL DIAGRAM



| REV | DESCRIPTION | BY | CHK'D | APP'D | DATE |
|------------------------------|---------------------|-----|-------|-------|----------|
| 4 | AS BUILT | CH | GW | EJB | 10-31-19 |
| A | ISSUED FOR APPROVAL | CH | JW | EJB | 03/15/19 |
| PID REVISION USED FOR DESIGN | | REV | | | |

NOTE

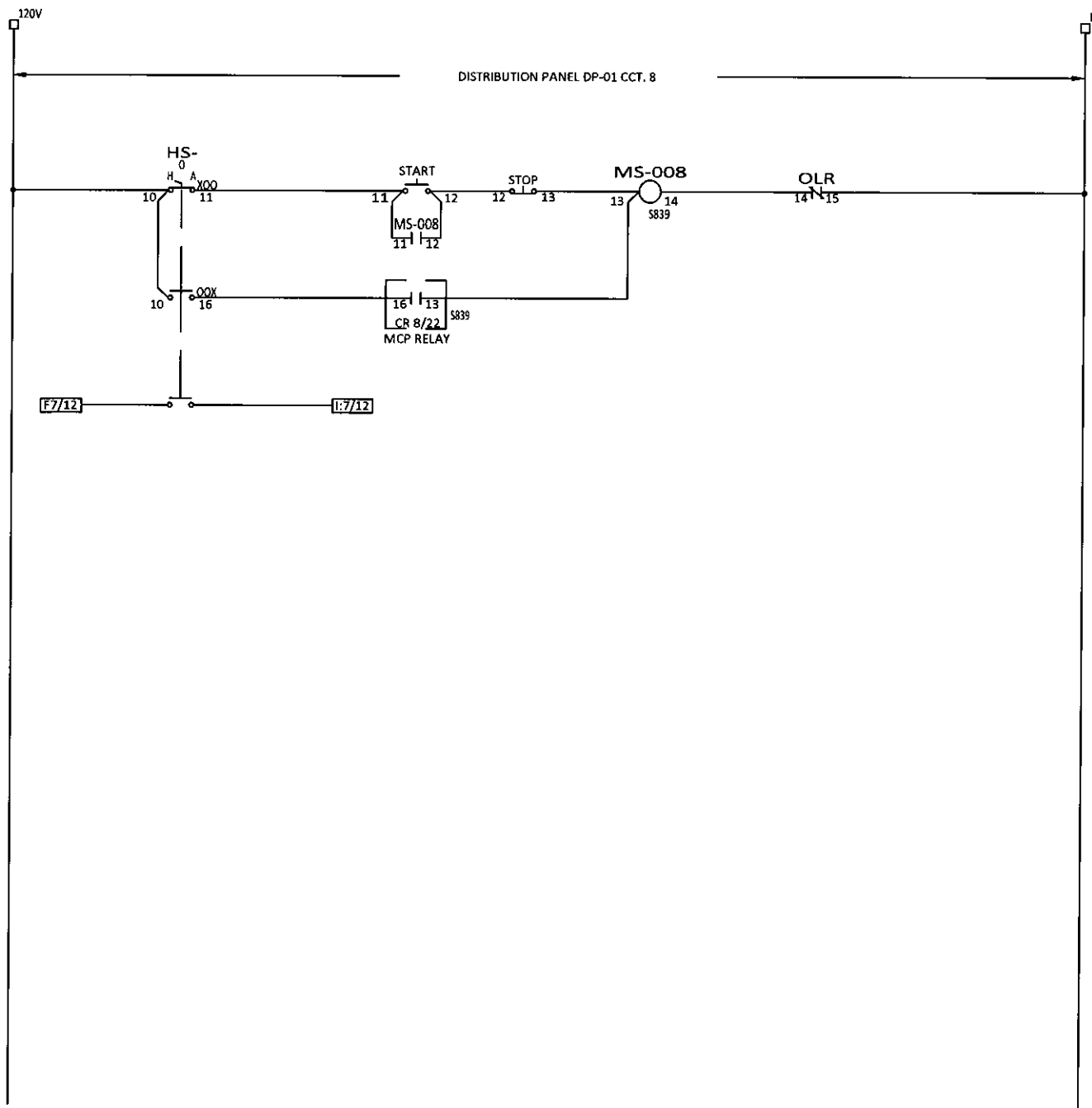
THIS DRAWING IS THE PROPERTY OF AWC WATER SOLUTIONS, AND CONTAINS PROPRIETARY AND CONFIDENTIAL INFORMATION WHICH MUST NOT BE DUPLICATED, USED OR DISCLOSED OTHER THAN EXPRESSLY AUTHORIZED BY AWC WATER SOLUTIONS.

AWC WATER SOLUTIONS LTD.

#104-19074 22nd Avenue Surrey, BC Canada V3Z 3S6
 Phone : 604-638-0760 Fax: 604-638-0795
 www.awcwater.com

| | | |
|----------|----------|---|
| DRAWN | CH | GNWT (SO10338) Gameti OIL TRANSFER PUMP #1 (GENERATOR) SCHEMATIC DIAGRAM ELECTRICAL AND CONTROL DIAGRAM 39 OF 41 |
| DESIGN | JW | |
| CHECKED | JT | |
| APPROVED | EJB | |
| DATE | 03-15-19 | |
| SCALE | N.T.S. | DRAWING NO. 10338-21 REV 4 |

ELECTRICAL DIAGRAM



| REV | DESCRIPTION | BY | CHK'D | APP'D | DATE |
|-----|------------------------------|-----|-------|-------|----------|
| 4 | AS BUILT | CH | GW | EJB | 10-31-19 |
| A | ISSUED FOR APPROVAL | CH | JW | EJB | 03/15/19 |
| REV | DESCRIPTION | BY | CHK'D | APP'D | DATE |
| | PID REVISION USED FOR DESIGN | REV | | | |

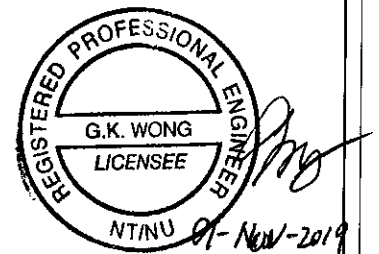
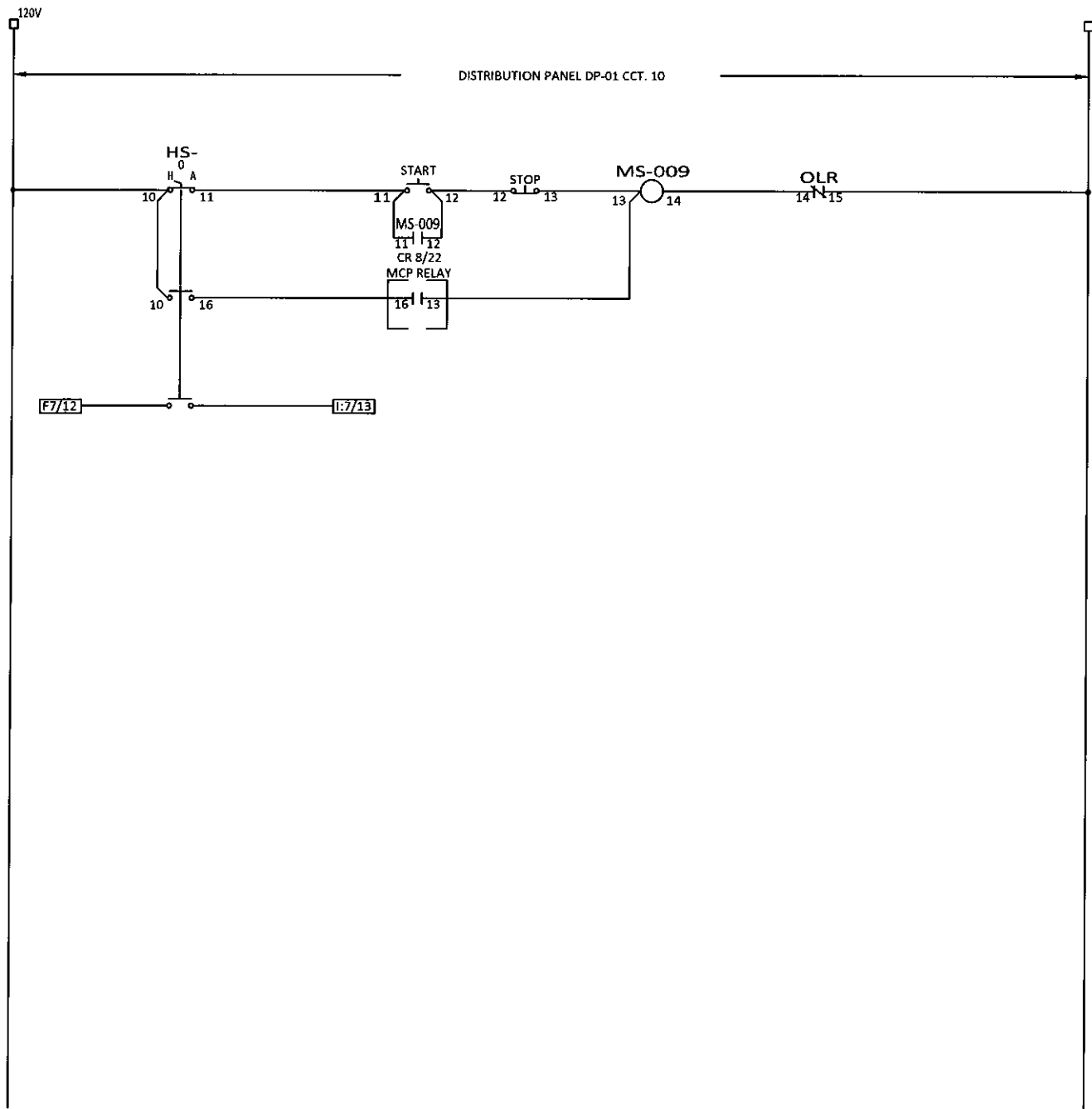
NOTE

THIS DRAWING IS THE PROPERTY OF AWC WATER SOLUTIONS, AND CONTAINS PROPRIETARY AND CONFIDENTIAL INFORMATION WHICH MUST NOT BE DUPLICATED, USED OR DISCLOSED OTHER THAN EXPRESSLY AUTHORIZED BY AWC WATER SOLUTIONS.

AWC WATER SOLUTIONS LTD.
 #104-19074 22nd Avenue Surrey, BC Canada V3Z 3S6
 Phone : 604-638-0760 Fax: 604-638-0795
 www.awcwater.com

| | | |
|----------|----------|--|
| DRAWN | CH | GNWT (SO10338) Gameti OIL TRANSFER PUMP #1 (GENERATION) SCHEMATIC DIAGRAM ELECTRICAL AND CONTROL DIAGRAM 40 OF 41 |
| DESIGN | JW | |
| CHECKED | JT | |
| APPROVED | EJB | |
| DATE | 03-15-19 | |
| SCALE | N.T.S. | DRAWING NO. 10338-21 |
| | | REV 4 |

ELECTRICAL DIAGRAM



| REV | DESCRIPTION | BY | CHK'D | APP'D | DATE |
|-----|---------------------|----|-------|-------|----------|
| 4 | AS BUILT | CH | GW | EJB | 10-31-19 |
| A | ISSUED FOR APPROVAL | CH | JW | EJB | 03/19 |
| | | | | | |
| | | | | | |
| | | | | | |

NOTE

THIS DRAWING IS THE PROPERTY OF AWC WATER SOLUTIONS, AND CONTAINS PROPRIETARY AND CONFIDENTIAL INFORMATION WHICH MUST NOT BE DUPLICATED, USED OR DISCLOSED OTHER THAN EXPRESSLY AUTHORIZED BY AWC WATER SOLUTIONS.

AWC WATER SOLUTIONS LTD.

#104-19074 22nd Avenue Surrey, BC Canada V3Z 3S6
 Phone : 604-638-0760 Fax: 604-638-0795
 www.awcwater.com

| | | |
|----------|----------|--|
| DRAWN | CH | GNWT (S010338) Gameti OIL TRANSFER PUMP #2 (BURNER) SCHEMATIC DIAGRAM ELECTRICAL AND CONTROL DIAGRAM 41 OF 41 |
| DESIGN | JW | |
| CHECKED | JT | |
| APPROVED | EJB | |
| DATE | 03-15-19 | |
| SCALE | N.T.S. | DRAWING NO. 10338-21 |
| | | REV 4 |