

---

## Well Inspection Report

---

### Instructions

- Complete all pages.
- Sign and submit electronically within 30 days of the well inspection to [orogo@gov.nt.ca](mailto:orogo@gov.nt.ca).
- If you wish to submit a hard copy, please use the courier address at [www.orogo.gov.nt.ca/contact-us](http://www.orogo.gov.nt.ca/contact-us).
- Refer to the [Well Suspension and Abandonment Guidelines and Interpretation Notes](#) (May 2022) for details on well inspection requirements.
- Report in metric units.

#### Required attachments:

- Photos of wellhead and well site (*Include descriptions*)  
# of photos attached: 4 Pictures
- Wellhead schematic
- Wellbore schematic

---

### Well Information

Well name: L-29-60-10-117-15

4 digit WID: 2041

OROGO risk level: Level 2

Wellhead?  Yes  No

Pressure rating of all wellhead components: 900 / 1500 Ansi

Pumpjack?  Yes  No

Operator: Alvarez & Marsal Canada Inc., in its capacity as receiver of Strategic Oil & Gas's NWT Property  
Well status: Suspended

Coordinates (*In decimal degrees; verified onsite*)

Datum:  NAD 27  NAD 83  Unknown

Lat: 60.144993

Long: -117.594502

Completed in H<sub>2</sub>S zone? Yes

Estimated % of H<sub>2</sub>S: ~2 or

Measured % of H<sub>2</sub>S: 0

---

### Inspection Date and Contact Information

Date of inspection: 2022-09-26

Date of previous inspection: 2021-10-14

Inspection conducted by:

Name: Kurt Hewitt

Company: K2H Consulting Ltd

Phone: 780-830-8303

Email: [kurtw.hewitt@gmail.com](mailto:kurtw.hewitt@gmail.com)

---

### Environmental or Safety Concerns

(Report all incidents as required under section 75 of the Oil and Gas Drilling and Production Regulations)

Environmental or safety concerns?  Yes  No

If yes, provide details: [Click or tap here to enter text.](#)

## Inspection Results

### Site

Well site accessible for inspection and monitoring?  Yes  No

Equipment or debris on site?  Yes  No

Additional clean up required?  Yes  No

Provide details of all site accessibility concerns: This site is accessible with heavy equipment by winter access roads only. Year round access by Helicopter.

Brush cleared 25 m around wellhead?  
 Yes  No

Wind indicator present and functional?  
 Yes  No

### Wellhead

Wellhead accessible for inspection and monitoring?  Yes  No

Valves chained and locked?  Yes  No

Valves operate freely?  Yes  No

Pressure test well head seal assembly?  
 Yes  No

*(If yes, provide details in comments section with supporting documentation)*

Surface casing vent open, operable and accessible in all seasons?  Yes  No

Pumpjack secure?  Yes  No  N/A

Visible marker or fence in place?  Yes  No  
4-digit Well ID, operator and contact information up to date?  Yes  No

Date of previous well head seal assembly pressure test: [Click or tap to enter a date.](#)

### Surface Casing Vent Flow (SCVF) / Gas Migration (GM) testing

Evidence of SCVF?  Yes  No

SCVF test conducted?  Yes  No  
*(If yes, provide details in comments section with supporting documentation)*

Signs of GM?  Yes  No

GM test conducted?  Yes  No  
*(If yes, provide details in comments section with supporting documentation)*

Gas samples taken?  Yes  No  
*(If yes, provide details in comments section identifying location and anticipated date of submission of analysis to OROGO)*

### Shut-in pressures

Production casing pressure (kPa):  
9 PSI

Intermediate casing pressure (kPa):  
[Click or tap here to enter text.](#)

Production tubing pressures (kPa):  
0 PSI

Any other readings taken:  
[Click or tap here to enter text.](#)

---

## Comments

- Details of:  SCVF/ GM testing (*Include source: SCV, wellbore or soil vapour*)  
 Shut-in pressures (*Include equipment used, results, any changes from previous inspections and previous inspection dates*)  
 Seal assembly testing (*Include maximum pressure tested and duration of test*)  
 Other comments

10 minute Bubble test completed on SCV, no visible bubbles indicated. See attached pictures for shut in pressures taken on Tubing and Casing. No H2S or LEL detected while on site. Gas Migration testing was completed at L-29 in the fall of 2021 and further testing was performed in September 2022 by G-Chem.

Additional supporting documentation attached?  Yes  No

If yes, list attached documentation: Inspection Pictures

---

I certify based on personal knowledge of well inspection operations undertaken at the above named well that the above information is accurate.

Responsible Officer:

Date: 2022-11-17

Name: Duncan MacRae  
Title: Vice President  
Operator: Alvarez & Marsal Canada Inc., in its  
capacity as receiver of Strategic Oil & Gas's  
NWT Property

Signature:



---

L-29 Wellsite Inspection Pictures



Lat / Lon (GPS:  $\pm 5$  m)  
60.144927  
-117.594344  
Elev: 755.965 m

Bearing: 232° (TN)  
Sep 26, 2022 11:53:36



Lat / Lon (GPS:  $\pm 5$  m)  
60.144993  
-117.594502  
Elev: 754.540 m

Bearing: 163° (TN)  
Sep 26, 2022 11:53:58

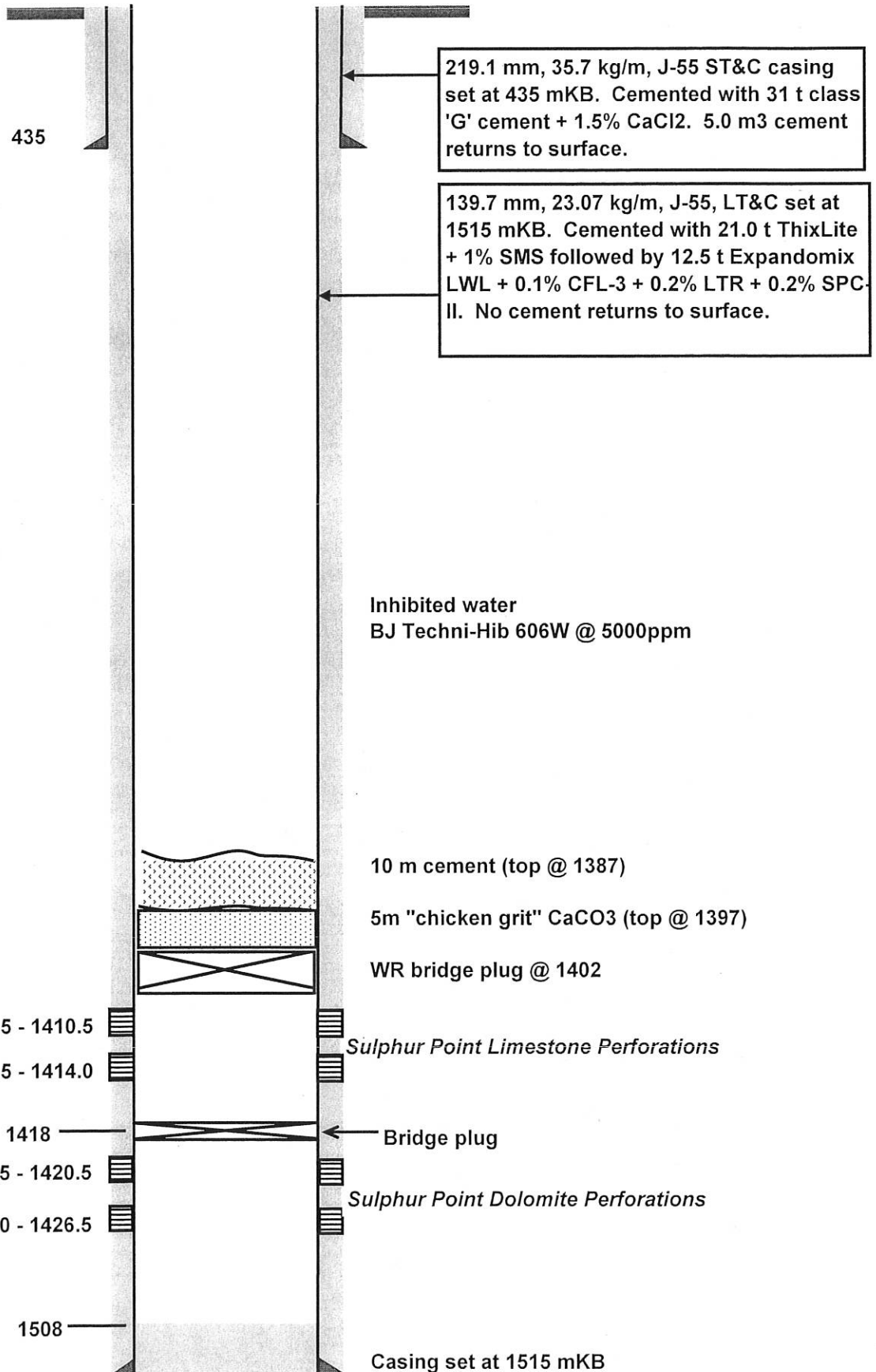


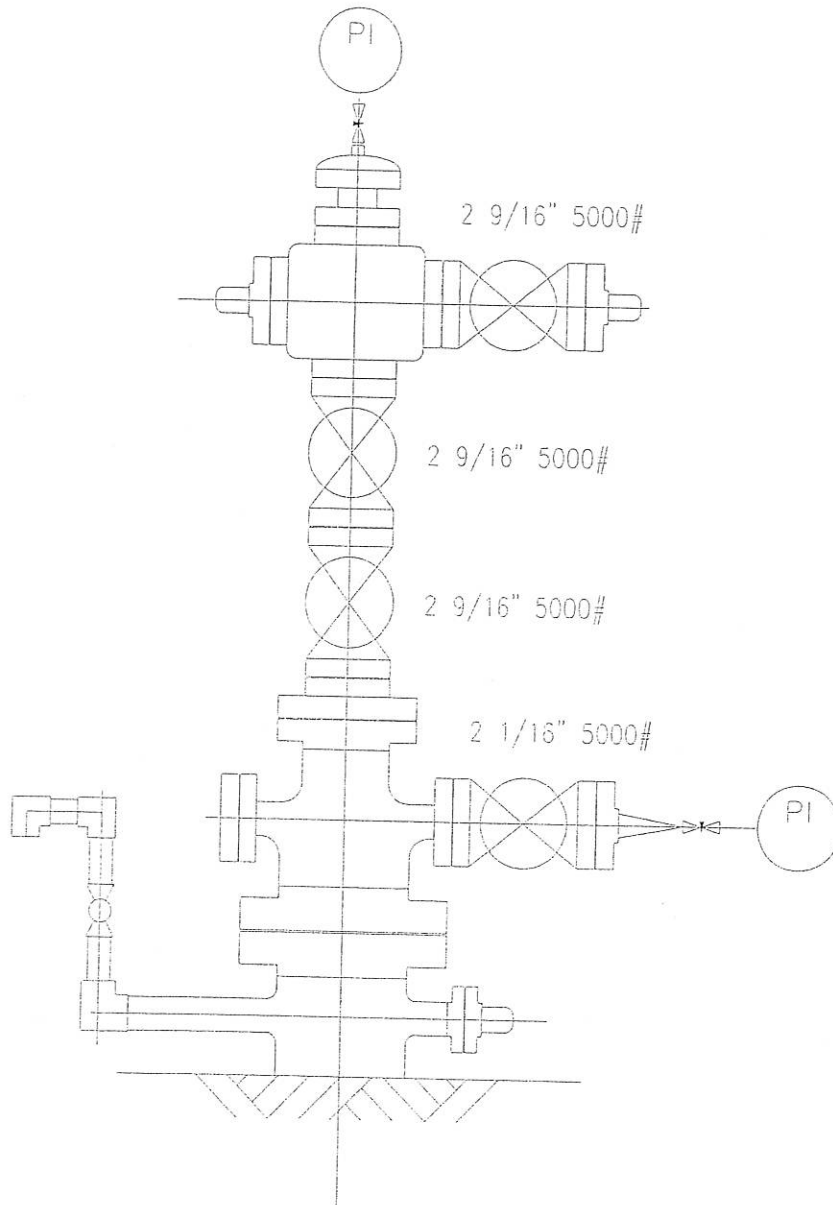
# PARA ET AL CAMERON L-29

60° 10' N, 117° 30' W      WID: 2041

As suspended 20100305

KB: 759.51 m  
GL: 754.11 m





WELLHEAD DETAILS



WELL NAME \_\_\_\_\_  
 LOCATION   L-29  

Date: 090903  
 By: KW  
 Rev: A FOR INFO.

Wellhead  
 Last Review Date: